








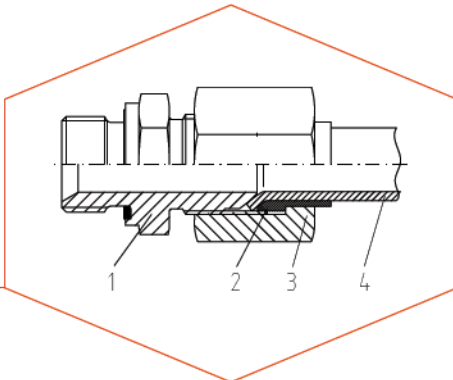


Bilder Images	Produktgruppen	Product Groups	Rubrik Category
	SAE Bördelanschlüsse - Funktion	SAE Flare Couplings - Function	6.3
	Muttern	Nuts	6.4
	Druckringe	Sleeves	
	Rohr - Metrisch	Tube - Metric	6.5
	Rohr - Zöllig	Tube - Inch	6.6
	JIC-37° - Adapter - Gerade Verbinder	JIC-37° - Adaptors - Straight Unions	6.7
	JIC-37° - Winkel-Adapter - 90°-Winkelverbinder	JIC-37° - Adaptors - 90°-Elbow Connectors	6.8
	JIC-37° - T-Verbinder	JIC-37° - T-Connectors	6.9
	JIC-37° - Adapter - Gerade - JIC - Weiblich x JIC - Weiblich	JIC-37° - Adaptors - Straight - JIC - Female x JIC - Female	6.10
	JIC-37° - Adapter - Gerade	JIC-37° - Adaptors - Straight	
	- JIC - Männlich x BSP - Männlich	- JIC - Male x BSP - Male	6.11
	- JIC - Männlich - SAE J 514	- JIC - Male - SAE J 514	6.12
	- JIC - Männlich x NPT - Männlich	- JIC - Male x NPT - Male	6.13
	- JIC - Männlich x Kegelig - Männlich	- JIC - Male x Taper - Male	6.14
	- JIC - Weiblich x BSP - Männlich	- JIC - Female x BSP - Male	6.15
	JIC-37° - Adapter - Gerade	JIC-37° - Adaptors - Straight	
	- JIC - Weiblich x JIC - Männlich	- JIC - Female x JIC - Male	6.16
	- JIC - Weiblich x JIC - Männlich	- JIC - Female x JIC - Male	6.17
	JIC-37° - Adapter	JIC-37° - Adaptors	
	- Verschlussstopfen	- Coned Plug	6.18
	- Verschlusskappen	- Swivel Cap	6.19
	JIC-37° - Adapter - 90°-Winkel	JIC-37° - Adaptors - 90°-Elbow	
	- JIC - Männlich x NPT - Männlich	- JIC - Male x NPT - Male	6.20
	- JIC - Männlich x Kegelig - Männlich	- JIC - Male x BSP - Taper - Male	6.21
	JIC-37° - Verschraubungen	JIC-37° - Connections	
	- Gerade Schottverschraubungen	- Straight Bulkhead Connections	6.22
	- Winkel-Schottverschraubungen	- 90°-Elbow Bulkhead Connections	6.23

Bilder Images	Produktgruppen	Product Groups	Rubrik Category
	JIC-37° - Gerade Adapter - JIC - Weiblich x NPT - Männlich	JIC-37° - Straight Adaptors - JIC - Female x NPT - Male	6.24
	JIC-37° - Winkel-Adapter - JIC - Weiblich x NPT - Männlich	JIC-37° - Elbow Adaptors - JIC - Female x NPT - Male	6.25
	JIC-37° - Winkel-Adapter - JIC - Weiblich x JIC - Männlich - 90°	JIC-37° - Elbow Adaptors - JIC - Female x JIC - Male - 90°	6.26
	JIC-37° - Winkel-Adapter - JIC - Weiblich x JIC - Männlich - 45°	JIC-37° - Elbow Adaptors - JIC - Female x JIC - Male - 45°	6.27
	JIC-37° - TE-Adapter - JIC - Weiblich x JIC - Männlich	JIC-37° - TEE-Adaptors - JIC - Female x JIC - Male	6.28
	JIC-37° - LE-Adapter - JIC - Weiblich x JIC - Männlich	JIC-37° - TEE-Adaptors - JIC - Female x JIC - Male	6.29
	EVW-Verschraubungen - EVW-Verschraubungen - 90° - EVW-Verschraubungen - 90° - EVW-Verschraubungen - 45°	Male Stud Elbows - Male Stud Elbows - 90° - Male Stud Elbows - 90° - Male Stud Elbows - 45°	6.30 6.31 6.32
	37°-Bördel-Manometerverschraubungen	37°-Flare-Gauge Couplings	6.33
	37°-Bördel-Aufschraubverschraubungen	37°-Flare-Female-Stud-Adaptors	6.34



Bördelanschluss 37° nach SAE J 514 und ISO 8434 Teil 2

Flare Tube 37° to SAE J 514 and ISO 8434 Part 2

Die Bördelverschraubung nach SAE J 514 und ISO 8434-2 besteht aus Verschraubungsstutzen 1, Druckring 2 und Überwurfmutter 3. Durch Austauschen des Druckringes ist die gleiche Verschraubung für metrisches und zölliges Rohr, das unter 37° gebördelt wurde, verwendbar.

Bei der Montage wird das gebördelte Rohr 4 zwischen Druckring und Verschraubungsstutzen eingeklemmt und festgehalten. Der Druckring zentriert und stützt hierbei das Rohr und dient gleichzeitig als Sicherung gegen Verdrehen und Vibration.

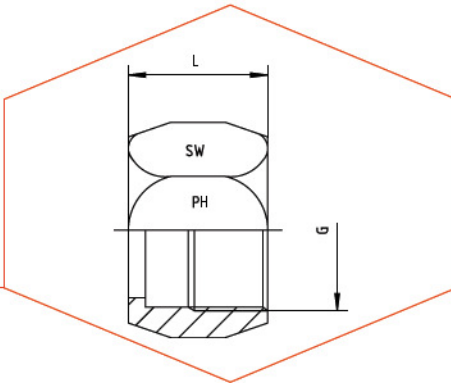
Da er sich beim Anziehen der Überwurfmutter nicht mitdreht, werden Spannungen am Rohrsystem vermieden. Die entstandene, rein metallische Dichtung garantiert eine hohe Sicherheit.

Auf Anfrage auch mit O-Ring Dichtung am Verschraubungsstutzen 1 lieferbar.

The flare coupling to SAE J 514 and ISO 8434-2 comprises a coupling body 1, pressure ring 2 and securing nut 3. By exchanging the pressure ring, the same coupling can be used with both metric and inch size pipe flared at less than 37°.

On fitting, the flared tube 4 is wedged and held between the pressure ring and the coupling body. The pressure ring centres and supports the tube at the same time preventing it from twisting and dampening vibration.

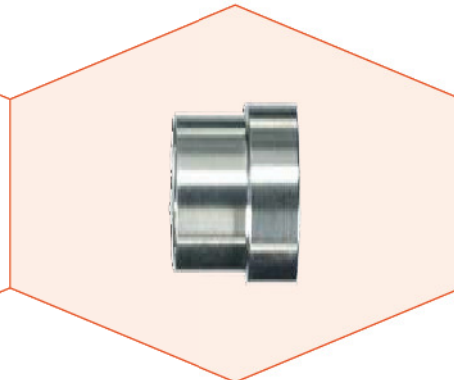
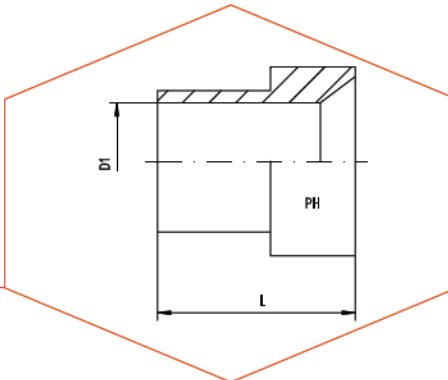
As it does not turn with the securing nut, no tension is transmitted to the tube system. The result is an extremely dependable metal seal. On request with o-ring seal on the coupling body 1.



Für 37°-Bördelverschraubungen
Nach SAE J 514 und ISO 8434 Teil 2

For 37°-Flare Couplings
To SAE J 514 and ISO 8434 Part 2

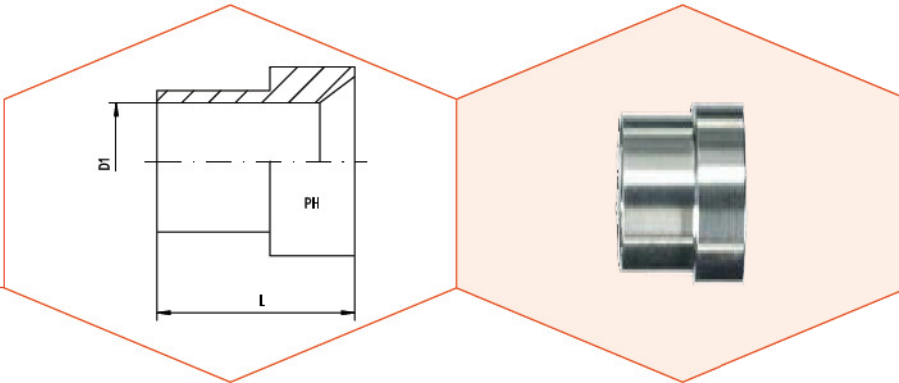
Rohr A.D. Tube O.D.		Gewinde Thread G	L	SW	Bestellzeichen Order-Code	Brutto-Preis Gross-Price Euro (€)
mm	in.					
6	1/4"	7/16"-20 UNF	15,5	14	M-37-06-04	3,10
8	5/16"	1/2"-20 UNF	17,0	17	M-37-08-05	3,35
10	3/8"	9/16"-18 UNF	18,3	19	M-37-10-06	3,50
12	1/2"	3/4"-16 UNF	21,3	22	M-37-12-08	4,25
14, 15, 16	5/8"	7/8"-14 UNF	24,6	27	M-37-16-10	5,85
18, 20	3/4"	1 1/16"-12 UN	25,9	32	M-37-20-12	8,50
25	1"	1 5/16"-12 UN	28,4	41	M-37-25-16	10,95
28, 30, 32	1 1/4"	1 5/8"-12 UN	31,0	50	M-37-30-20	18,75
35, 38	1 1/2"	1 7/8"-12 UN	35,8	60	M-37-38-24	33,15
50	2"	2 1/2"-12 UN	44,2	75	M-37-50-32	135,00



Für 37°-Bördelverschraubungen
Nach SAE J 514 und ISO 8434 Teil2
Rohr - Metrisch

For 37°-Flare Couplings
To SAE J 514 and ISO 8434 Part 2
Tube - Metric

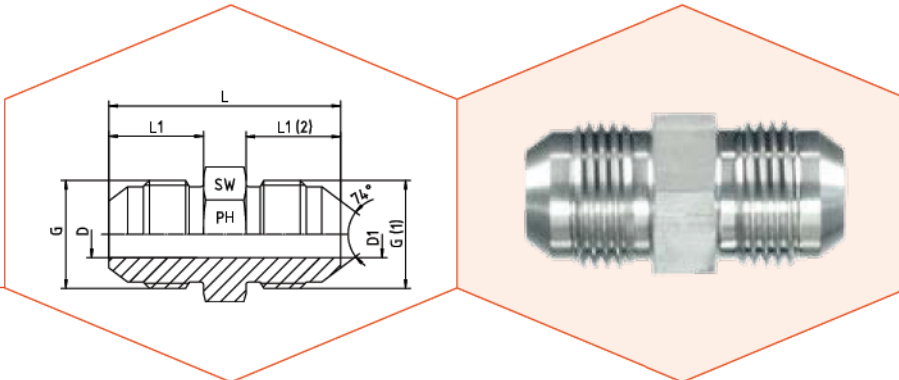
Rohr A.D. Tube O.D. mm	D1+Tol.	L	Bestellzeichen Order-Code	Brutto-Preis Gross-Price Euro (€)
6	6	10,4	DR-37-06	1,95
8	8	11,2	DR-37-08	2,20
10	10	12,7	DR-37-10	2,70
12	12	14,2	DR-37-12	3,00
14	14	14,0	DR-37-14	4,50
15	15	14,0	DR-37-15	4,50
16	16	16,8	DR-37-16	4,50
18	30	23,1	DR-37-18	5,50
20	20	17,3	DR-37-20	5,50
25	25	19,8	DR-37-25	9,20
28	28	23,0	DR-37-28	11,10
30	30	23,1	DR-37-30	11,10
32	32	23,0	DR-37-32	11,10
35	35	28,4	DR-37-35	18,65
38	38	28,4	DR-37-38	18,65
50	50	30,2	DR-37-50	32,50



Für 37°-Bördelverschraubungen
Nach SAE J 514 und ISO 8434 Teil 2
Rohr - Zöllig

For 37°-Flare Couplings
To SAE J 514 and ISO 8434 Part 2
Tube - Inch

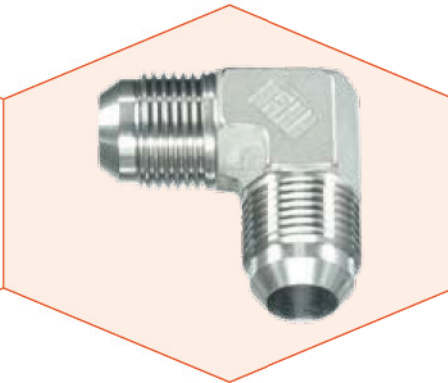
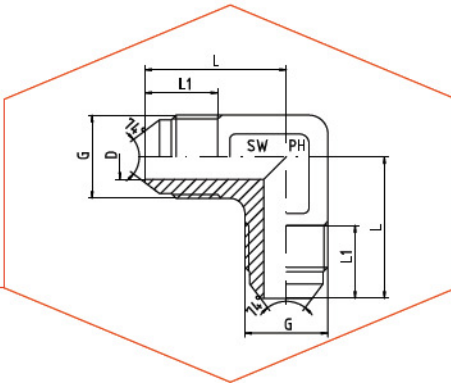
Rohr A.D. Tube O.D.		D1	L	Bestellzeichen Order-Code	Brutto-Preis Gross-Price Euro (€)
in.	mm				
1/4"	6,35	6,53	10,4	DR-37-1/4"	2,50
5/16"	7,94	8,13	11,2	DR-37-5/16"	2,75
3/8"	9,52	9,73	12,7	DR-37-3/8"	3,25
1/2"	12,70	12,88	14,2	DR-37-1/2"	3,60
5/8"	15,88	16,08	16,8	DR-37-5/8"	3,60
3/4"	19,05	19,28	17,3	DR-37-3/4"	5,50
1"	25,40	25,60	19,8	DR-37-1"	11,50
1 1/4"	31,75	32,05	23,1	DR-37-1 1/4"	15,00
1 1/2"	38,10	38,40	28,4	DR-37-1 1/2"	23,00
2"	50,80	51,21	30,2	DR-37-2"	32,50



Gerade Verbinder
Männlich - Männlich
Reduzieradapter auf Anfrage!
Zum Beispiel: Rohr 20 auf 16 = Bestellzeichen: 1252510-12-10

*Straight Unions
Male - Male
Reducers on request!
For Example: Tube 20 to 16 = Order-Code: 1252510-12-10*

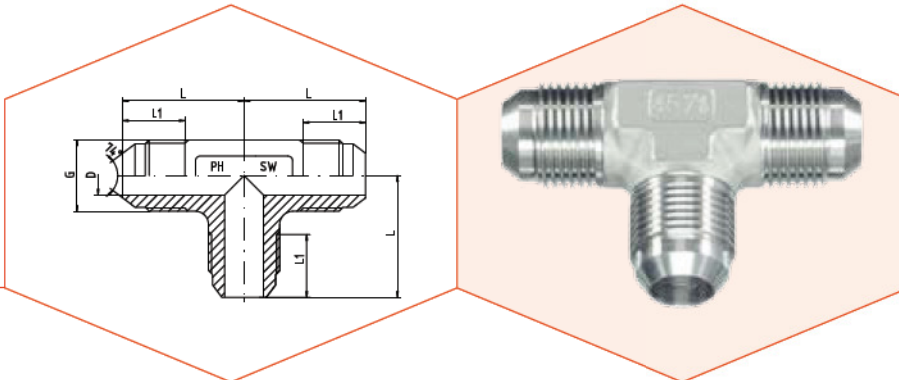
Druck Pressure PN	Rohr A.D. Tube O.D.		Gewinde Thread		Ca. Maße Approx. Dimensions						Bestellzeichen Order-Code	Brutto-Preis Gross-Price Euro (€)	
	mm	in.	G	G1	L	L1	L2	D	D1	SW			
350	6	1/4"	7/16"-20 UNF		35,0	14,0					12	1252510-04-04	5,80
350	8	5/16"	1/2"-20 UNF		35,0	14,0					14	1252510-05-05	5,80
350			9/16"-18 UNF	7/16"-20 UNF	35,0	14,1	14,0	7,5	4,0		17	1252510-06-04	9,37
350	10	3/8"	9/16"-18 UNF		36,0	14,1		7,5			17	1252510-06-06	6,25
350			3/4"-16 UNF	9/16"-18 UNF	38,1	16,7	14,1	9,5	7,5		22	1252510-08-06	11,17
350	12	1/2"	3/4"-16 UNF		41,0	16,7		9,5			22	1252510-08-08	7,45
350			7/8"-14 UNF	3/4"-16 UNF	45,0	19,3	16,7	12,5	9,5		24	1252510-10-08	14,95
350	14, 15, 16	5/8"	7/8"-14 UNF		48,0	19,3		12,5			24	1252510-10-10	10,00
350			1 1/16"-12 UN	7/8"-14 UNF	51,0	21,9	19,3	15,0	12,5		27	1252510-12-10	20,40
350	18, 20	3/4"	1 1/16"-12 UN		55,0	21,9		15,0			27	1252510-12-12	13,60
280			1 5/16"-12 UN	1 1/16"-12 UN	56,0	23,1	21,9	21,5	15,0		36	1252510-16-12	17,80
280	25	1"	1 5/16"-12 UN		57,0	23,1		21,5			36	1252510-16-16	15,20
210	28, 30, 32	1 1/4"	1 5/8"-12 UN		61,5	24,3		27,5			46	1252510-20-20	28,55
210			1 7/8"-12 UN	1 5/8"-12 UN	65,0	27,5	24,3	33,0	27,5		50	1252510-24-20	58,70
210	35, 38	1 1/2"	1 7/8"-12 UN		70,0	27,5		33,0			50	1252510-24-24	39,15
150	50	2"	2 1/2"-12 UN		80,0	33,9		45,0			65	1252510-32-32	66,60



90°-Winkelverbinder
 Männlich - Männlich

90°-Elbow Connectors
 Male - Male

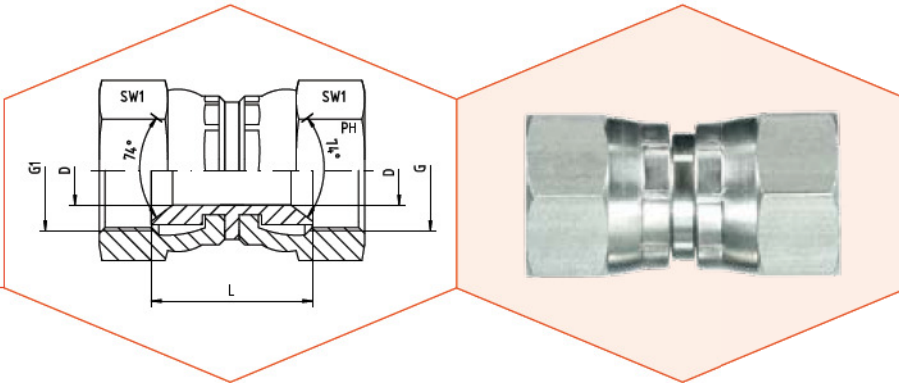
Druck Pressure PN	Rohr A.D. Tube O.D.		Gewinde Thread G	Ca. Maße Approx. Dimensions				Bestellzeichen Order-Code	Brutto-Preis Gross-Price Euro (€)
	mm	in.		L	L1	D	SW		
350	6	1/4"	7/16"-20 UNF	22,5	14,0	4,5	12	1252511-04-04	14,30
350	8	5/16"	1/2"-20 UNF	24,0	14,0	6,0	13	1252511-05-05	15,20
350	10	3/8"	9/16"-18 UNF	27,0	14,1	7,5	14	1252511-06-06	15,25
350	12	1/2"	3/4"-16 UNF	31,0	16,7	10,0	19	1252511-08-08	19,90
350	14, 15, 16	5/8"	7/8"-14 UNF	37,5	19,3	12,5	24	1252511-10-10	23,10
350	18, 20	3/4"	1 1/16"-12 UN	42,0	21,9	15,0	24	1252511-12-12	30,90
280	25	1"	1 5/16"-12 UN	46,0	23,1	21,5	33	1252511-16-16	42,35
210	28, 30, 32	1 1/4"	1 5/8"-12 UN	52,5	24,3	27,5	41	1252511-20-20	64,05
210	35, 38	1 1/2"	1 7/8"-12 UN	59,0	27,5	33,0	48	1252511-24-24	100,10
150	50	2"	2 1/2"-12 UN	77,5	33,9	45,0		1252511-32-32	298,00



Alle Seiten männlich

All Sides Male

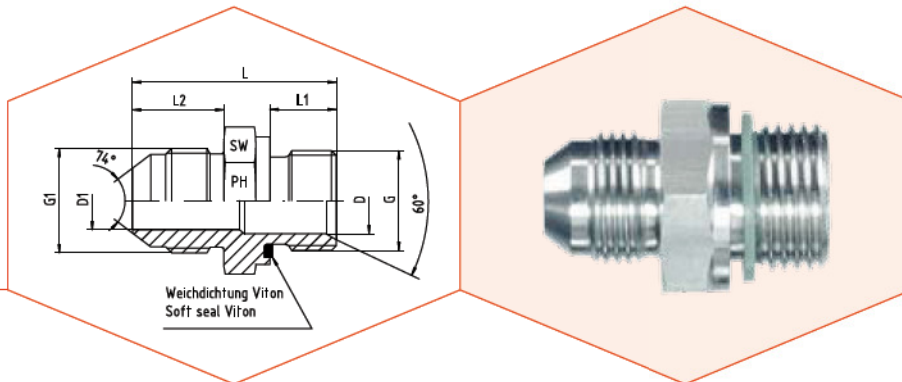
Druck Pressure PN	Rohr A.D. Tube O.D.		Gewinde Thread G	Ca. Maße Approx. Dimensions				Bestellzeichen Order-Code	Brutto-Preis Gross-Price Euro (€)
	mm	in.		L	L1	D	SW		
350	6	1/4"	7/16"-20 UNF	22,5	14,0	4,5	12	1252512-04-04-04	19,95
350	8	5/16"	1/2"-20 UNF	24,0	14,0	6,0	13	1252512-05-05-05	21,95
350	10	3/8"	9/16"-18 UNF	27,0	14,1	7,5	14	1252512-06-06-06	21,95
350	12	1/2"	3/4"-16 UNF	31,0	16,7	10,0	19	1252512-08-08-08	33,75
350	14, 15, 16	5/8"	7/8"-14 UNF	37,5	19,3	12,5	24	1252512-10-10-10	43,50
350	18, 20	3/4"	1 1/16"-12 UN	42,0	21,9	15,5	24	1252512-12-12-12	46,00
280	25	1"	1 5/16"-12 UN	46,0	23,1	21,5	33	1252512-16-16-16	62,50
210	28, 30, 32	1 1/4"	1 5/8"-12 UN	52,5	24,3	27,5	41	1252512-20-20-20	93,20
210	35, 38	1 1/2"	1 7/8"-12 UN	59,0	27,5	33,0	48	1252512-24-24-24	130,00
150	50	2"	2 1/2"-12 UN	77,5	33,9	45,0		1252512-32-32-32	398,00



JIC - Weiblich - Drehbar
Beide Seiten

JIC - Female - Swivel
Both Sides

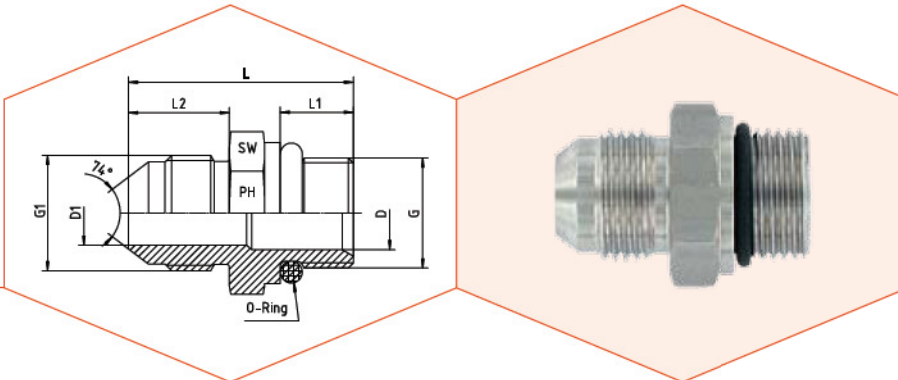
Druck Pressure PN	Rohr A.D. Tube O.D.		Gewinde Thread G1	Ca. Maße Approx. Dimensions			Bestellzeichen Order-Code	Brutto-Preis Gross-Price Euro (€)
	mm	in.		L	D	SW1		
350	6	1/4"	7/16"-20 UNF	21,0	4,0	17	3252511-04-04	9,80
350	8	5/16"	1/2"-20 UNF	21,0	5,0	17	3252511-05-05	9,80
350	10	3/8"	9/16"-18 UNF	24,0	7,0	19	3252511-06-06	12,25
350	12	1/2"	3/4"-16 UNF	25,5	10,0	24	3252511-08-08	14,30
350	14, 15, 16	5/8"	7/8"-14 UNF	30,0	12,0	27	3252511-10-10	20,65
350	18, 20	3/4"	1 1/16"-12 UN	30,0	15,0	32	3252511-12-12	27,70
280	25	1"	1 5/16"-12 UN	35,0	21,0	41	3252511-16-16	42,95
210	28, 30, 32	1 1/4"	1 5/8"-12 UN	35,0	27,5	50	3252511-20-20	71,15
210	35, 38	1 1/2"	1 7/8"-12 UN	40,0	33,0	55	3252511-24-24	96,85



JIC - Männlich
BSP - Männlich
Mit gekammerter Weichdichtung

JIC - Male
BSP - Male
With Captive Soft Seal

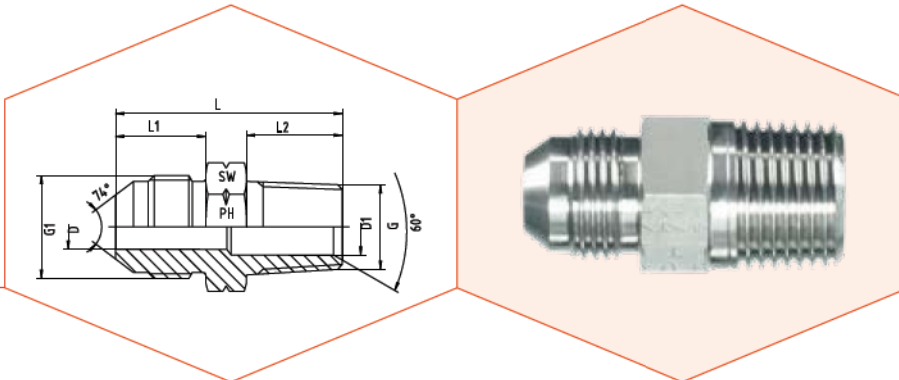
Druck Pressure PN	Rohr A.D. Tube O.D.		Gewinde Thread		Ca. Maße Approx. Dimensions						Bestellzeichen Order-Code	Brutto-Preis Gross-Price Euro (€)
	mm	in.	G1 = UNF/UN	G = BSP	L	L1	L2	D	D1	SW		
350	6	1/4"	7/16"-20	1/8"-28	30,0	8	14,0	3,5	3,5	14	1052510-04-02	5,16
350	6	1/4"	7/16"-20	1/4"-19	34,0	12	14,0	4,0	4,0	19	1052510-04-04	6,38
350	6	1/4"	7/16"-20	3/8"-19	34,5	12	14,0	8,0	4,0	22	1052510-04-06	11,25
350	6	1/4"	7/16"-20	1/2"-14	37,5	14	14,0	11,5	4,0	27	1052510-04-08	12,95
350	8	5/16"	1/2"-20	1/8"-28	30,0	8	14,0	4,5	4,5	14	1052510-05-02	5,25
350	8	5/16"	1/2"-20	1/4"-19	34,0	12	14,0	5,0	5,0	19	1052510-05-04	6,45
350	8	5/16"	1/2"-20	3/8"-19	34,5	12	14,0	8,0	5,0	22	1052510-05-06	7,20
350	8	5/16"	1/2"-20	1/2"-14	37,5	14	14,0	11,5	5,0	27	1052510-05-08	10,90
350	10	3/8"	9/16"-18	1/8"-28	30,0	8	14,0	4,5	6,0	17	1052510-06-02	6,50
350	10	3/8"	9/16"-18	1/4"-19	33,0	10	14,0	6,0	6,0	19	1052510-06-04	6,50
350	10	3/8"	9/16"-18	3/8"-19	34,5	12	14,0	7,5	7,5	22	1052510-06-06	7,20
350	10	3/8"	9/16"-18	1/2"-14	40,0	14	14,0	12,0	7,5	27	1052510-06-08	10,10
350	12	1/2"	3/4"-16	1/4"-19	37,0	10	17,0	5,0	9,5	22	1052510-08-04	6,60
350	12	1/2"	3/4"-16	3/8"-19	41,0	12	17,0	9,0	9,0	22	1052510-08-06	7,50
350	12	1/2"	3/4"-16	1/2"-14	40,5	14	17,0	9,5	9,5	27	1052510-08-08	8,95
350	12	1/2"	3/4"-16	3/4"-14	46,0	16	17,0	17,0	9,5	32	1052510-08-12	12,90
350	14, 15, 16	5/8"	7/8"-14	3/8"-19	42,5	12	19,5	8,0	12,0	24	1052510-10-06	8,85
350	14, 15, 16	5/8"	7/8"-14	1/2"-14	43,0	14	19,5	12,0	12,0	27	1052510-10-08	9,70
350	14, 15, 16	5/8"	7/8"-14	5/8"-14	44,5	16	19,5	14,5	12,0	30	1052510-10-10	14,00
350	14, 15, 16	5/8"	7/8"-14	3/4"-14	46,0	16	19,5	17,0	12,0	32	1052510-10-12	14,75
350	14, 15, 16	5/8"	7/8"-14	1"-11	50,0	18	19,5	22,5	12,0	41	1052510-10-16	29,50
350	18, 20	3/4"	1 1/16"-12	3/8"-19	44,5	12	22,0	8,0	15,0	27	1052510-12-06	12,05
350	18, 20	3/4"	1 1/16"-12	1/2"-14	50,0	14	22,0	11,5	15,0	27	1052510-12-08	12,05
350	18, 20	3/4"	1 1/16"-12	3/4"-14	51,0	16	22,0	15,0	15,0	32	1052510-12-12	12,75
350	18, 20	3/4"	1 1/16"-12	1"-11	53,0	18	22,0	22,5	15,0	41	1052510-12-16	28,40
350	18, 20	3/4"	1 1/16"-12	1 1/4"-11	56,5	20	22,0	29,0	15,0	50	1052510-12-20	45,50
280	25	1"	1 5/16"-12	3/4"-14	53,0	16	23,0	17,5	21,5	36	1052510-16-12	22,20
280	25	1"	1 5/16"-12	1"-11	53,5	18	23,0	21,5	21,5	41	1052510-16-16	22,40
280	25	1"	1 5/16"-12	1 1/4"-11	57,5	20	23,0	29,0	21,5	50	1052510-16-20	45,50
210	25	1"	1 5/16"-12	1 1/2"-11	59,5	22	23,0	33,5	21,0	55	1052510-16-24	69,50
210	28, 30, 32	1 1/4"	1 5/8"-12	3/4"-14	56,7	16	24,3	17,0	26,5	46	1052510-20-12	41,25
210	28, 30, 32	1 1/4"	1 5/8"-12	1"-11	55,0	18	24,3	23,0	26,5	46	1052510-20-16	41,25
210	28, 30, 32	1 1/4"	1 5/8"-12	1 1/4"-11	59,0	20	24,3	29,0	26,5	50	1052510-20-20	41,25
210	28, 30, 32	1 1/4"	1 5/8"-12	1 1/2"-11	61,0	22	24,3	33,5	26,5	55	1052510-20-24	62,50
150	28, 30, 32	1 1/4"	1 5/8"-12	2"-11	64,3	25	24,3	46,0	26,5	70	1052510-20-32	*
210	35, 38	1 1/2"	1 7/8"-12	1"-11	60,0	18	27,5	22,5	32,0	50	1052510-24-16	52,50
210	35, 38	1 1/2"	1 7/8"-12	1 1/4"-11	62,0	20	27,5	29,0	32,0	50	1052510-24-20	52,50
210	35, 38	1 1/2"	1 7/8"-12	1 1/2"-11	64,0	22	27,5	33,5	32,0	55	1052510-24-24	50,00
150	35, 38	1 1/2"	1 7/8"-12	2"-11	67,5	23	27,5	46,0	32,0	70	1052510-24-32	129,00
150	50	2"	2 1/2"-12	2"-11	76,0	23	33,9	45,0	45,0	70	1052510-32-32	115,00



JIC - Männlich
Einschraubgewinde: UNF (ASA B 1.1 - 1960)
Abdichtung durch Runddichtring (O-Ring) - SAE J 514
Achtung: Spezielle Gewindeaussenkung erforderlich.

JIC - Weiblich
Thread: UNF (ASA B 1.1 - 1960)
Sealing by O-ring in Thread Undercut - SAE J 514
Note: A special part shape must be machined.

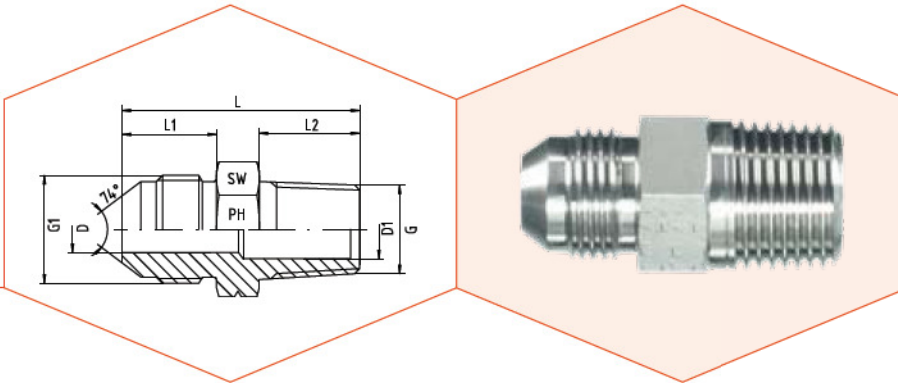
Druck Pressure PN	Rohr A.D. Tube O.D.		Gewinde Thread		Ca. Maße Approx. Dimensions						Bestellzeichen Order-Code G1 x G	Brutto-Preis Gross-Price Euro (€)
	mm	in.	G1 = UNF/UN	G = UNF / UN	L	L1	L2	D	D1	SW		
350	6	1/4"	7/16"-20	7/16"-20	31,0	9,2	14,0	4,5	4,5	17	1052511-04-04	6,38
350	8	5/16"	1/2"-20	1/2"-20	31,0	9,2	14,0	6,0	6,0	17	1052511-05-05	6,38
350	10	3/8"	9/16"-18	9/16"-18	33,0	10,0	14,0	7,5	7,5	19	1052511-06-06	6,50
350	10	3/8"	9/16"-18	3/4"-16	35,5	11,0	14,0	9,5	7,5	24	1052511-06-08	12,00
350	12	1/2"	3/4"-16	3/4"-16	38,0	11,0	17,0	9,5	9,5	24	1052511-08-08	8,95
350	12	1/2"	3/4"-16	7/8"-14	40,0	12,7	17,0	12,0	9,5	27	1052511-08-10	17,00
350	14, 15, 16	5/8"	7/8"-14	7/8"-14	43,0	12,7	19,5	12,0	12,0	27	1052511-10-10	9,70
350	14, 15, 16	5/8"	7/8"-14	1 1/16"-12	47,0	15,0	19,5	15,0	12,0	32	1052511-10-12	22,00
350	18, 20	3/4"	1 1/16"-12	1 1/16"-12	50,0	15,0	22,0	15,0	15,0	32	1052511-12-12	12,75
350	18, 20	3/4"	1 1/16"-12	1 5/16"-12	51,0	15,0	22,0	21,5	15,0	41	1052511-12-16	29,00
280	25	1"	1 5/16"-12	1 5/16"-12	52,0	15,0	23,0	21,5	21,5	41	1052511-16-16	22,40
210	28, 30, 32	1 1/4"	1 5/8"-12	1 5/8"-12	53,0	15,0	24,3	27,5	27,5	50	1052511-20-20	45,50
210	35, 38	1 1/2"	1 7/8"-12	1 7/8"-12	56,5	15,0	27,5	33,0	33,0	55	1052511-24-24	69,95



JIC - Männlich
NPT - Männlich

JIC - Male
NPT - Male

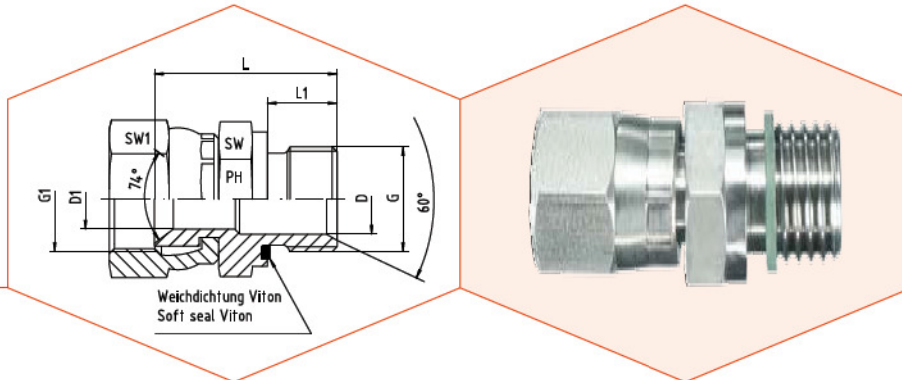
Druck Pressure PN	Rohr A.D. Tube O.D.		Gewinde Thread		Ca. Maße Approx. Dimensions						Bestellzeichen Order-Code	Brutto-Preis Gross-Price Euro (€)
	mm	in.	G1 = UNF/UN	G = NPT	L	L1	L2	D	D1	SW		
350	6	1/4"	7/16"-20	1/8"-27	31,0	14,0	10,0	4,0	4,0	12	1252810-04-02	5,30
350	6	1/4"	7/16"-20	1/4"-18	36,0	14,0	15,0	4,0	4,0	17	1252810-04-04	5,30
350	6	1/4"	7/16"-20	3/8"-18	36,0	14,0	15,3	4,0	9,0	19	1252810-04-06	5,70
350	6	1/4"	7/16"-20	1/2"-14	42,0	14,0	20,0	4,0	13,0	22	1252810-04-08	8,65
350	8	5/16"	1/2"-20	1/8"-27	30,0	14,0	10,0	4,0	4,0	14	1252810-05-02	5,35
350	8	5/16"	1/2"-20	1/4"-18	36,0	14,0	15,0	5,0	5,0	17	1252810-05-04	5,35
350	8	5/16"	1/2"-20	3/8"-18	36,0	14,0	15,3	5,0	9,0	19	1252810-05-06	8,50
350	8	5/16"	1/2"-20	1/2"-14	42,0	14,0	20,0	5,0	13,0	22	1252810-05-08	12,00
350	10	3/8"	9/16"-18	1/8"-27	30,0	14,0	10,0	6,0	4,0	17	1252810-06-02	5,78
350	10	3/8"	9/16"-18	1/4"-18	34,0	14,0	15,0	6,0	6,0	17	1252810-06-04	5,78
350	10	3/8"	9/16"-18	3/8"-18	34,0	14,0	15,3	6,0	6,0	19	1252810-06-06	5,78
350	10	3/8"	9/16"-18	1/2"-14	43,0	14,0	20,0	7,5	13,0	22	1252810-06-08	7,50
350	12	1/2"	3/4"-16	1/4"-18	39,0	17,0	15,0	9,0	5,0	19	1252810-08-04	7,20
350	12	1/2"	3/4"-16	3/8"-18	39,0	17,0	15,3	9,0	9,0	19	1252810-08-06	7,20
350	12	1/2"	3/4"-16	1/2"-14	45,7	17,0	20,0	9,5	9,5	22	1252810-08-08	7,85
350	12	1/2"	3/4"-16	3/4"-14	47,2	17,0	20,0	9,5	17,0	27	1252810-08-12	8,95
350	14, 15, 16	5/8"	7/8"-14	3/8"-18	42,0	19,5	15,3	12,0	9,0	24	1252810-10-06	8,65
350	14, 15, 16	5/8"	7/8"-14	1/2"-14	48,0	19,5	20,0	12,0	12,0	24	1252810-10-08	9,40
350	14, 15, 16	5/8"	7/8"-14	3/4"-14	48,2	19,5	20,0	12,0	18,0	27	1252810-10-12	9,90
350	18, 20	3/4"	1 1/16"-12	3/8"-18	47,0	22,0	15,3	15,0	9,0	27	1252810-12-06	36,80
350	18, 20	3/4"	1 1/16"-12	1/2"-14	52,2	22,0	20,0	15,0	13,5	27	1252810-12-08	12,25
350	18, 20	3/4"	1 1/16"-12	3/4"-14	52,3	22,0	20,0	15,0	15,0	27	1252810-12-12	12,25
350	18, 20	3/4"	1 1/16"-12	1"-11,5	57,5	22,0	25,0	15,0	21,0	36	1252810-12-16	25,10
280	25	1"	1 5/16"-12	1/2"-14	53,2	23,0	20,0	21,0	13,5	36	1252810-16-08	25,10
280	25	1"	1 5/16"-12	3/4"-14	53,0	23,0	20,0	21,0	18,0	36	1252810-16-12	18,75
280	25	1"	1 5/16"-12	1"-11,5	58,0	23,0	25,0	21,0	21,0	36	1252810-16-16	18,75
280	25	1"	1 5/16"-12	1 1/4"-11,5	58,0	23,0	25,5	21,0	31,7	46	1252810-16-20	36,50
210	25	1"	1 5/16"-12	1 1/2"-11,5	62,0	23,0	26,0	21,0	32,0	50	1252810-16-24	44,50
210	28, 30, 32	1 1/4"	1 5/8"-12	1"-11,5	62,0	24,3	25,0	26,5	21,0	46	1252810-20-16	30,00
210	28, 30, 32	1 1/4"	1 5/8"-12	1 1/4"-11,5	62,0	24,3	25,5	26,5	31,7	46	1252810-20-20	30,00
210	28, 30, 32	1 1/4"	1 5/8"-12	1 1/2"-11,5	64,8	24,3	26,0	26,5	38,0	50	1252810-20-24	44,50
210	35, 38	1 1/2"	1 7/8"-12	1 1/2"-11,5	68,0	27,5	26,0	32,0	32,0	50	1252810-24-24	35,00
210	35, 38	1 1/2"	1 7/8"-12	1 1/4"-11,5	66,0	27,5	25,5	31,7	31,7	50	1252810-24-20	35,00
150	50	2"	2 1/2"-12	2"-11,5	72,0	33,9	26,0	45,0	45,0	65	1252810-32-32	68,90



JIC - Männlich
Whithworth-Rohrgewinde - Kegelig - Männlich

JIC - Male
BSP - Taper - Male

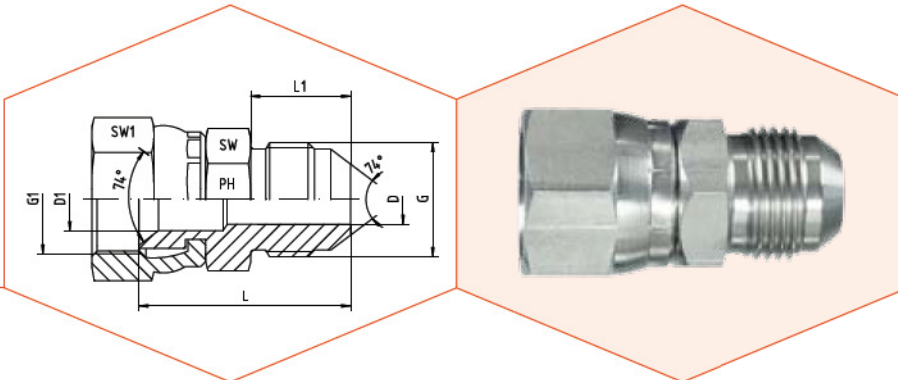
Druck Pressure PN	Rohr A.D. Tube O.D.		Gewinde Thread		Ca. Maße Approx. Dimensions						Bestellzeichen Order-Code	Brutto-Preis Gross-Price Euro (€)
	mm	in.	G1 = UNF/UN	G = keg.	L	L1	L2	D	D1	SW		
315	6	1/4"	7/16"-20	1/8"-28	29,0	14,0	8	4,0	4,0	12	1252820-04-02	5,30
315	6	1/4"	7/16"-20	1/4"-19	33,0	14,0	12	4,0	4,0	14	1252820-04-04	5,30
315	6	1/4"	7/16"-20	3/8"-19	32,7	14,0	12	4,0	9,0	19	1252820-04-06	5,70
315	6	1/4"	7/16"-20	1/2"-14	42,0	14,0	20	4,0	13,0	22	1252820-04-08	8,65
315	8	5/16"	1/2"-20	1/8"-28	28,0	14,0	8	4,0	4,0	14	1252820-05-02	5,35
315	8	5/16"	1/2"-20	1/4"-19	33,0	14,0	12	5,0	5,0	14	1252820-05-04	5,35
315	8	5/16"	1/2"-20	3/8"-19	32,7	14,0	12	5,0	9,0	19	1252820-05-06	8,50
315	10	3/8"	9/16"-18	1/8"-28	28,0	14,0	8	6,0	4,0	17	1252820-06-02	5,78
315	10	3/8"	9/16"-18	1/4"-19	31,0	14,0	12	6,0	6,0	17	1252820-06-04	5,78
315	10	3/8"	9/16"-18	3/8"-19	30,7	14,0	12	6,0	6,0	19	1252820-06-06	5,78
315	10	3/8"	9/16"-18	1/2"-14	37,0	14,0	14	7,5	13,0	22	1252820-06-08	7,50
315	12	1/2"	3/4"-16	1/4"-19	36,0	17,0	12	9,0	5,0	19	1252820-08-04	7,20
315	12	1/2"	3/4"-16	3/8"-19	35,7	17,0	12	9,0	9,0	19	1252820-08-06	7,20
315	12	1/2"	3/4"-16	1/2"-14	39,7	17,0	14	9,5	9,5	22	1252820-08-08	7,85
315	12	1/2"	3/4"-16	3/4"-14	43,2	17,0	16	9,5	17,0	27	1252820-08-12	8,95
315	14, 15, 16	5/8"	7/8"-14	3/8"-19	38,7	19,5	12	12,0	9,0	24	1252820-10-06	8,65
315	14, 15, 16	5/8"	7/8"-14	1/2"-14	42,0	19,5	14	12,0	12,0	24	1252820-10-08	9,40
160	14, 15, 16	5/8"	7/8"-14	3/4"-14	44,2	19,5	16	12,0	18,0	27	1252820-10-12	9,90
315	18, 20	3/4"	1 1/16"-12	1/2"-14	46,2	22,0	14	15,0	13,5	27	1252820-12-08	12,25
160	18, 20	3/4"	1 1/16"-12	3/4"-14	48,3	22,0	16	15,0	15,0	27	1252820-12-12	12,25
160	18, 20	3/4"	1 1/16"-12	1"-11	50,5	22,0	18	15,0	21,0	36	1252820-12-16	25,10
160	25	1"	1 5/16"-12	1/2"-14	47,2	23,0	14	21,0	13,5	36	1252820-16-08	25,10
160	25	1"	1 5/16"-12	3/4"-14	49,0	23,0	16	21,0	18,0	36	1252820-16-12	18,75
160	25	1"	1 5/16"-12	1"-11	51,0	23,0	18	21,0	21,0	36	1252820-16-16	18,75
160	25	1"	1 5/16"-12	1 1/4"-11	53,0	23,0	20	21,0	32,0	46	1252820-16-20	36,50
160	25	1"	1 5/16"-12	1 1/2"-11	58,0	23,0	22	21,0	32,0	50	1252820-16-24	44,50
160	28, 30, 32	1 1/4"	1 5/8"-12	1"-11	55,0	24,3	18	26,5	21,0	46	1252820-20-16	30,00
160	28, 30, 32	1 1/4"	1 5/8"-12	1 1/4"-11	56,5	24,3	20	26,5	31,7	46	1252820-20-20	30,00
160	28, 30, 32	1 1/4"	1 5/8"-12	1 1/2"-11	60,8	24,3	22	26,5	38,0	50	1252820-20-24	44,50
140	35, 38	1 1/2"	1 7/8"-12	1 1/2"-11	64,0	27,5	22	32,0	32,0	50	1252820-24-24	35,00
140	35, 38	1 1/2"	1 7/8"-12	1 1/4"-11	60,0	27,5	20	31,7	31,7	50	1252820-24-20	35,00
140	50	2"	2 1/2"-12	2"-11	72,0	33,9	26	45,0	45,0	65	1252820-32-32	68,90



BSP - Männlich
Mit gekammerter Weichdichtung
JIC - Weiblich

BSP - Male
With Captive Soft Seal
JIC - Female - Swivel

Druck Pressure PN	Rohr A.D. Tube O.D.		Gewinde Thread		Ca. Maße Approx. Dimensions						Bestellzeichen Order-Code	Brutto-Preis Brutto-Price Euro (€)
	mm	in.	G1 = UNF/UN	G = BSP	L	L1	D	D1	SW1	SW		
350	6	1/4"	7/16"-20	1/8"-28	25,0	8	4,5	4,5	17	14	2052511-04-02	10,10
350	6	1/4"	7/16"-20	1/4"-18	29,0	12	4,5	4,5	17	19	2052511-04-04	10,10
350	6	1/4"	7/16"-20	3/8"-18	30,5	12	7,0	4,5	17	22	2052511-04-06	13,20
350	8	5/16"	1/2"-20	1/8"-28	25,0	8	4,5	4,5	17	14	2052511-05-02	10,10
350	8	5/16"	1/2"-20	1/4"-18	29,5	12	5,0	5,0	17	19	2052511-05-04	10,10
350	8	5/16"	1/2"-20	3/8"-18	30,5	12	7,0	5,0	17	22	2052511-05-06	13,20
350	10	3/8"	9/16"-18	1/8"-28	26,0	8	4,5	4,5	19	14	2052511-06-02	10,90
350	10	3/8"	9/16"-18	1/4"-18	30,0	12	6,0	6,0	19	19	2052511-06-04	10,10
350	10	3/8"	9/16"-18	3/8"-18	30,0	12	7,0	7,0	19	22	2052511-06-06	13,20
350	10	3/8"	9/16"-18	1/2"-14	34,0	14	12,5	7,0	19	27	2052511-06-08	14,35
350	12	1/2"	3/4"-16	1/4"-18	31,0	12	6,0	9,0	24	19	2052511-08-04	13,50
350	12	1/2"	3/4"-16	3/8"-18	33,5	12	9,0	9,0	24	22	2052511-08-06	13,95
350	12	1/2"	3/4"-16	1/2"-14	36,0	14	10,0	10,0	24	27	2052511-08-08	16,50
350	12	1/2"	3/4"-16	3/4"-14	39,0	16	15,0	10,0	24	32	2052511-08-12	23,95
350	14, 15, 16	5/8"	7/8"-14	3/8"-18	34,0	12	9,0	12,5	27	22	2052511-10-06	17,65
350	14, 15, 16	5/8"	7/8"-14	1/2"-14	34,0	14	12,5	12,5	27	27	2052511-10-08	17,80
350	14, 15, 16	5/8"	7/8"-14	5/8"-14	37,5	16	14,5	12,0	27	30	2052511-10-10	*
350	14, 15, 16	5/8"	7/8"-14	3/4"-14	41,0	16	15,0	12,5	27	32	2052511-10-12	23,95
350	18, 20	3/4"	1 1/16"-12	3/8"-18						32	2052511-12-06	*
350	18, 20	3/4"	1 1/16"-12	1/2"-14	38,0	14	12,5	12,5	32	27	2052511-12-08	23,10
350	18, 20	3/4"	1 1/16"-12	3/4"-14	40,0	16	15,0	15,0	32	32	2052511-12-12	23,25
350	18, 20	3/4"	1 1/16"-12	1"-11	42,5	18	21,0	15,0	32	41	2052511-12-16	42,95
280	25	1"	1 5/16"-12	1/2"-14	40,5	14	12,5	21,0	41	32	2052511-16-08	47,00
280	25	1"	1 5/16"-12	3/4"-14	46,5	16	15,0	20,0	41	32	2052511-16-12	42,95
280	25	1"	1 5/16"-12	1"-11	45,0	18	21,0	21,0	41	41	2052511-16-16	42,95
210	25	1"	1 5/16"-12	1 1/4"-11	48,0	20	29,0	21,0	41	50	2052511-16-20	*
210	28, 30, 32	1 1/4"	1 5/8"-12	1"-11	50,0	18	22,0	22,0	50	41	2052511-20-16	89,50
210	28, 30, 32	1 1/4"	1 5/8"-12	1 1/4"-11	53,0	20	27,5	27,5	50	50	2052511-20-20	78,80
210	35, 38	1 1/2"	1 7/8"-12	1 1/4"-11	55,0	20	29,0	29,0	55	50	2052511-24-20	115,00
210	35, 38	1 1/2"	1 7/8"-12	1 1/2"-11	59,0	22	33,0	33,0	55	55	2052511-24-24	99,90

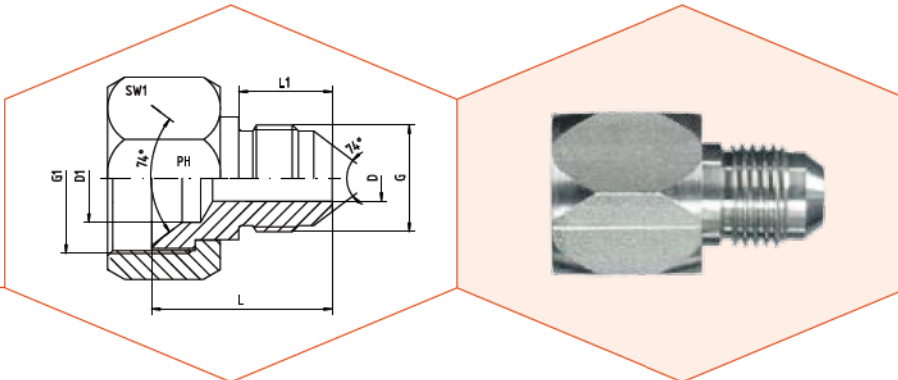


Form A

JIC - Männlich
JIC - Weiblich - Drehbar

JIC - Male
JIC - Female - Swivel

Druck Pressure PN	Rohr A.D. Tube O.D.		Gewinde Thread		Ca. Maße Approx. Dimensions						Form Form	Bestellzeichen Order-Code G1 x G	Brutto-Preis Gross-Price Euro (€)
	mm	in.	G1 = UNF/UN	G = UNF/UN	L	L1	D1	D	SW1	SW			
350	6	1/4"	7/16"-20	7/16"-20	29,0	14,0	4,0	4,0	17	12	A	2252511-04-04	11,30
350	8	5/16"	1/2"-20	1/2"-20	30,0	14,0	5,0	5,0	17	14	A	2252511-05-05	11,50
350	10	3/8"	9/16"-18	9/16"-18	30,7	14,0	6,5	6,5	19	17	A	2252511-06-06	11,90
350	12	1/2"	9/16"-18	3/4"-16	34,5	17,0	7,0	9,5	19	22	A	2252511-06-08	21,50
350	12	1/2"	3/4"-16	3/4"-16	35,5	17,0	9,5	9,5	24	22	A	2252511-08-08	19,10
350	14, 15, 16	5/8"	3/4"-16	7/8"-14	39,4	19,5	10,0	12,0	24	24	A	2252511-08-10	24,90
350	12	1/2"	7/8"-14	3/4"-16	36,5	17,0	11,0	9,5	27	22	A	2252511-10-08	16,11
350	14, 15, 16	5/8"	7/8"-14	7/8"-14	40,5	19,5	12,0	12,0	27	24	A	2252511-10-10	21,50
350	18, 20	3/4"	7/8"-14	1 1/16"-12	45,5	22,0	12,0	15,0	27	27	A	2252511-10-12	22,50
350	14, 15, 16	5/8"	1 1/16"-12	7/8"-14	40,6	19,5	15,0	12,0	32	27	A	2252511-12-10	22,90
350	18, 20	3/4"	1 1/16"-12	1 1/16"-12	45,6	22,0	15,0	15,0	32	32	A	2252511-12-12	29,10
280	25	1"	1 5/16"-12	1 5/16"-12	48,7	23,0	21,0	21,0	41	36	A	2252511-16-16	41,50
210	28, 30, 32	1 1/2"	1 5/16"-12	1 5/8"-12	53,0	24,3	19,0	26,5	50	46	A	2252511-16-20	67,95
210	28, 30, 32	1 1/4"	1 5/8"-12	1 5/8"-12	56,0	24,3	27,5	27,5	50	46	A	2252511-20-20	67,50
210	35, 38	1 1/2"	1 7/8"-12	1 7/8"-12	60,0	27,5	33,0	33,0	55	50	A	2252511-24-24	75,00
	35, 38	1 1/2"	2 1/2"-12	1 7/8"-12	66,5	27,5	44,0	32,0	70	65	A	2252511-32-24	198,00

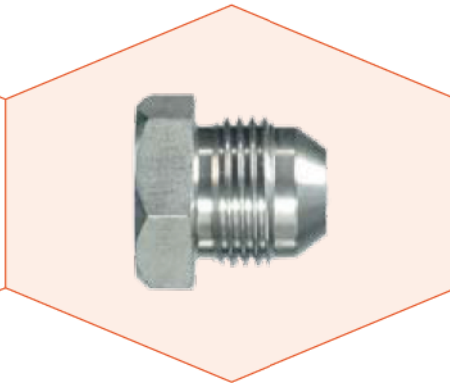
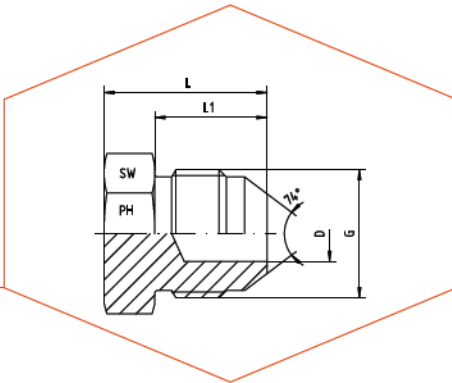


Form B

JIC - Männlich
JIC - Weiblich - Drehbar

JIC - Male
JIC - Female - Swivel

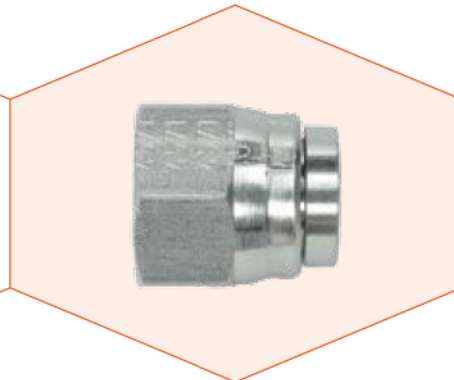
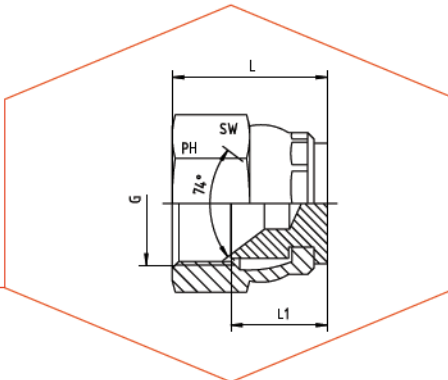
Druck Pressure PN	Rohr A.D. Tube O.D.		Gewinde Thread		Ca. Maße Approx. Dimensions						Form Form	Bestellzeichen Order-Code G1 x G	Brutto-Preis Gross-Price Euro (€)
	mm	in.	G1 = UNF/UN	G = UNF/UN	L	L1	D1	D	SW1	SW			
350	6	1/4"	9/16"-18	7/16"-20	26,0	14,0	7,0	4,0	19		B	2252511-06-04	9,39
350	6	1/4"	3/4"-16	7/16"-20	26,0	14,0	9,0	4,0	22		B	2252511-08-04	9,39
350	10	3/8"	3/4"-16	9/16"-18	26,0	14,0	9,0	7,5	22		B	2252511-08-06	11,40
350	6	1/4"	7/8"-14	7/16"-20	28,0	14,0	11,0	4,5	27		B	2252511-10-04	14,70
350	10	3/8"	7/8"-14	9/16"-18	28,0	14,0	11,0	7,5	27		B	2252511-10-06	14,70
350	6	1/4"	1 1/16"-12	7/16"-20	28,5	14,0	15,0	4,0	32		B	2252511-12-04	18,50
350	10	3/8"	1 1/16"-12	9/16"-18	30,4	14,0	15,0	7,5	32		B	2252511-12-06	18,50
350	12	1/2"	1 1/16"-12	3/4"-16	33,0	17,0	15,0	9,5	32		B	2252511-12-08	18,50
280	10	3/8"	1 5/16"-12	9/16"-18	32,0	14,0	19,0	7,5	41		B	2252511-16-06	39,00
280	12	1/2"	1 5/16"-12	3/4"-16	35,0	17,0	19,0	9,5	41		B	2252511-16-08	39,00
280	14, 15, 16	5/8"	1 5/16"-12	7/8"-14	37,0	19,5	19,0	12,0	41		B	2252511-16-10	39,00
280	18, 20	3/4"	1 5/16"-12	1 1/16"-12	40,0	22,0	19,0	15,5	41		B	2252511-16-12	39,00
210	18, 20	3/4"	1 5/8"-12	1 1/16"-12	40,0	22,0	26,0	15,0	50		B	2252511-20-12	43,30
210	25	1"	1 5/8"-12	1 5/16"-12	41,0	23,0	26,0	21,0	50		B	2252511-20-16	43,30
210	25	1"	1 7/8"-12	1 5/16"-12	45,0	23,0	30,0	21,0	60		B	2252511-24-16	84,30
210	28, 30, 32	1 1/4"	1 7/8"-12	1 5/8"-12	62,0	24,3	32,0	26,5	60		B	2252511-24-20	84,30



Verschlussstopfen
Männlich

Coned Plug
Male

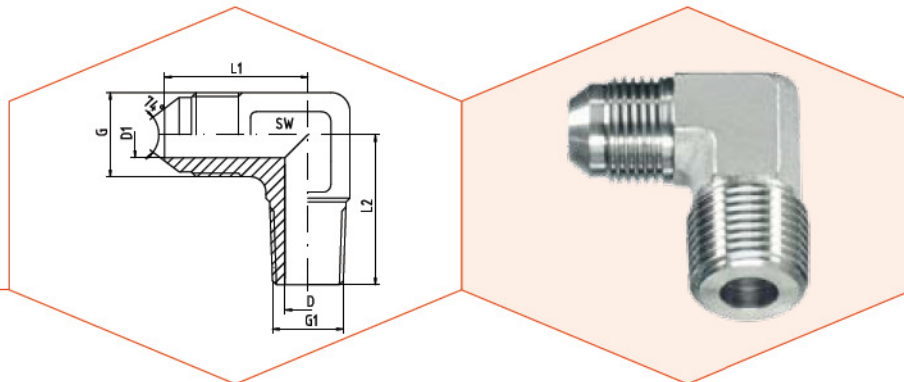
Druck Pressure PN	Rohr A.D. Tube O.D.		Gewinde Thread G	Ca. Maße Approx. Dimensions				Bestellzeichen Order-Code	Brutto/Preis Gross-Price Euro (€)
	mm	in.		L	L1	D	SW		
350	6	1/4"	7/16"-20 UNF	20,5	14,0	4,0	12	5250010-04	4,50
350	8	5/16"	1/2"-20 UNF	20,5	14,0	5,0	14	5250010-05	4,50
350	10	3/8"	9/16"-18 UNF	22,0	14,0	7,0	17	5250010-06	5,50
350	12	1/2"	3/4"-16 UNF	24,0	17,0	9,5	22	5250010-08	6,25
350	14, 15, 16	5/8"	7/8"-14 UNF	28,0	19,5	12,0	24	5250010-10	8,50
350	18, 20	3/4"	1 1/16"-12 UN	33,0	22,0	15,0	27	5250010-12	12,00
280	25	1"	1 5/16"-12 UN	34,0	23,0	21,5	36	5250010-16	16,60
210	28, 30, 32	1 1/4"	1 5/8"-12 UN	37,7	24,3	27,5	46	5250010-20	27,50
210	35, 38	1 1/2"	1 7/8"-12 UN	42,5	27,5	33,0	50	5250010-24	38,75
150	50	2"	2 1/2"-12 UN	52,0	33,9	45,0	65	5250010-32	56,70



Verschlusskappe
JIC - Weiblich - Drehbare Mutter

Swivel Cap
JIC - Female - Swivel

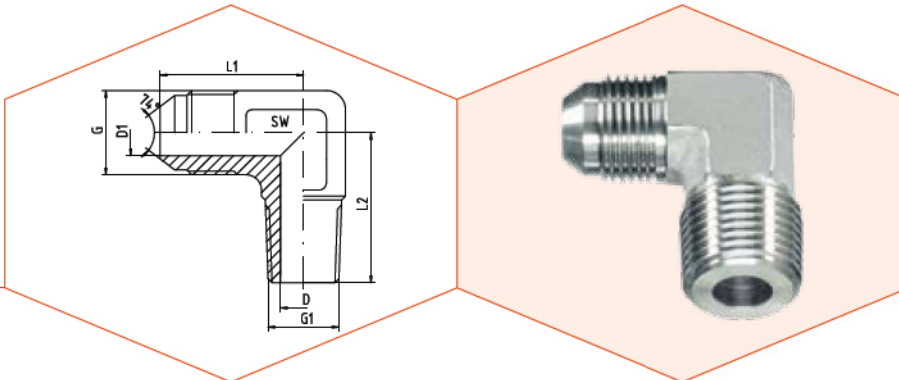
Druck Pressure PN	Rohr A.D. Tube O.D.		Gewinde Thread G	Ca. Maße Approx. Dimensions			Bestellzeichen Order-Code	Brutto-Preis Gross-Price Euro (€)
	mm	in.		L	L1	SW		
350	6	1/4"	7/16"-20 UNF	20,0	12	17	5250011-04	7,87
350	8	5/16"	1/2"-20 UNF	22,0	12	17	5250011-05	7,87
350	10	3/8"	9/16"-18 UNF	23,0	13	19	5250011-06	9,00
350	12	1/2"	3/4"-16 UNF	25,5	14	24	5250011-08	9,20
350	14, 15, 16	5/8"	7/8"-14 UNF	30,0	18	27	5250011-10	11,10
350	18, 20	3/4"	1 1/16"-12 UN	33,0	18	32	5250011-12	18,10
280	25	1"	1 5/16"-12 UN	36,0	21	41	5250011-16	33,75
210	28, 30, 32	1 1/4"	1 5/8"-12 UN	39,5	22	50	5250011-20	43,75
210	35, 38	1 1/2"	1 7/8"-12 UN	44,0	24	55	5250011-24	54,80
	50	2"	2 1/2"-12 UN	56,0	32	70	5250011-32	117,00



Außengewinde-Einschrauber - 90°
JIC - Männlich
NPT - Männlich

Male-90°-Elbow
JIC - Male
NPT - Male

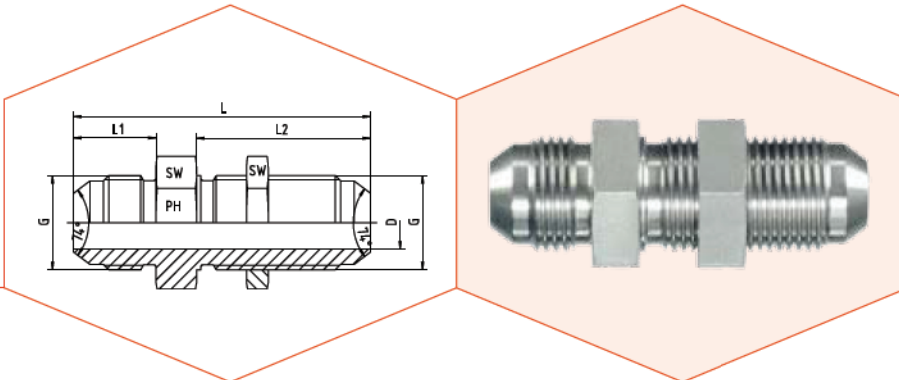
Druck Pressure PN	Rohr A.D. Tube O.D.		Gewinde Thread		Ca. Maße Approx. Dimensions					Bestellzeichen Order-Code G x G1	Brutto-Preis Gross-Price Euro (€)
	mm	in.	G = UNF/UN	G1 = NPT	L1	L2	D	D1	SW		
350	6	1/4"	7/16"-20	1/8"-27	23,0	20,0	4,5	4,0	11	1252517-04-02	15,40
350	6	1/4"	7/16"-20	1/4"-18	28,5	26,5	4,5	4,5	14	1252517-04-04	15,40
350	6	1/4"	7/16"-20	3/8"-18	29,0	31,0	10,0	4,0	19	1252517-04-06	21,25
350	8	5/16"	1/2"-20	1/8"-27	24,0	20,0	4,5	6,0	13	1252517-05-02	15,40
350	8	5/16"	1/2"-20	1/4"-18	27,0	28,0	7,0	6,0	14	1252517-05-04	15,40
350	8	5/16"	1/2"-20	3/8"-18	29,0	31,0	10,0	6,0	19	1252517-05-06	20,95
350	10	3/8"	9/16"-18	1/8"-27	27,0	25,0	4,0	7,5	14	1252517-06-02	15,40
350	10	3/8"	9/16"-18	1/4"-18	27,0	25,0	7,5	7,5	14	1252517-06-04	14,75
350	10	3/8"	9/16"-18	3/8"-18	27,0	27,0	8,5	7,5	14	1252517-06-06	19,40
350	10	3/8"	9/16"-18	1/2"-14	31,0	37,0	14,0	8,0	22	1252517-06-08	26,90
350	12	1/2"	3/4"-16	1/4"-18	31,0	29,5	7,0	10,0	19	1252517-08-04	20,90
350	12	1/2"	3/4"-16	3/8"-18	31,0	29,5	10,0	10,0	19	1252517-08-06	19,40
350	12	1/2"	3/4"-16	1/2"-14	31,0	34,0	10,0	10,0	19	1252517-08-08	22,20
350	14, 15, 16	5/8"	7/8"-14	3/8"-18	37,5	37,0	10,0	12,5	24	1252517-10-06	22,40
350	14, 15, 16	5/8"	7/8"-14	1/2"-14	37,5	38,0	14,0	12,5	24	1252517-10-08	22,40
280	14, 15, 16	5/8"	7/8"-14	3/4"-14	37,5	41,5	15,5	12,5	24	1252517-10-12	35,00
350	18, 20	3/4"	1 1/16"-12	1/2"-14	42,0	38,0	14,0	15,5	24	1252517-12-08	30,20
280	18, 20	3/4"	1 1/16"-12	3/4"-14	42,0	41,5	15,5	15,5	24	1252517-12-12	30,20
210	18, 20	3/4"	1 1/16"-12	1"-11,5	45,0	50,0	24,0	16,0	33	1252517-12-16	55,00
280	25	1"	1 5/16"-12	1/2"-14					33	1252517-16-08	55,00
280	25	1"	1 5/16"-12	3/4"-14	46,0	45,0	18,0	22,0	33	1252517-16-12	45,10
210	25	1"	1 5/16"-12	1"-11,5	49,0	50,0	21,0	22,0	33	1252517-16-16	42,10
210	28, 30, 32	1 1/4"	1 5/8"-12	1"-11,5	52,0	60,0	24,0	28,0	41	1252517-20-16	85,50
170	28, 30, 32	1 1/4"	1 5/8"-12	1 1/4"-11,5	52,0	61,0	32,0	28,0	45	1252517-20-20	74,90
140	35, 38	1 1/2"	1 7/8"-12	1 1/4"-11,5	59,0	57,0	32,0	33,0	48	1252517-24-20	139,80
140	35, 38	1 1/2"	1 7/8"-12	1 1/2"-11,5	64,0	59,0	33,0	33,0	50	1252517-24-24	122,50
140	50	2"	2 1/2"-12	2"-11,5						1252517-32-32	298,00



Außengewinde-Einschrauber - 90°
JIC - Männlich
Whitworth-Rohrgewinde - Kegelig - Männlich

Male-90°-Elbow
JIC - Male
BSP - Taper - Male

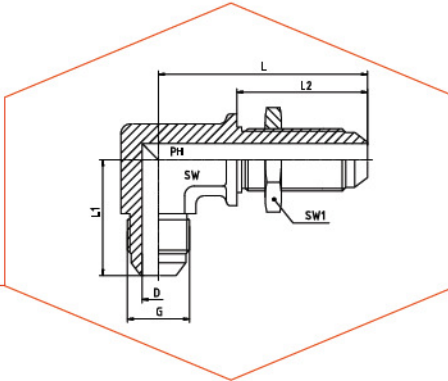
Druck Pressure PN	Rohr A.D. Tube O.D.		Gewinde Thread		Ca. Maße Approx. Dimensions					Bestellzeichen Order-Code G x G1	Brutto-Preis Gross-Price Euro (€)
	mm	in.	G = UNF/UN	G1 = keg.	L1	L2	D	D1	SW		
315	6	1/4"	7/16"-20	1/8"-28	23,0	20,0	5,0	4,0	11	1252520-04-02	15,40
315	6	1/4"	7/16"-20	1/4"-19	27,0	28,0	7,0	4,0	14	1252520-04-04	15,40
315	6	1/4"	7/16"-20	3/8"-19	27,0	30,0	10,0	4,0	19	1252520-04-06	21,25
315	8	5/16"	1/2"-20	1/8"-28	24,0	20,0	5,0	6,0	13	1252520-05-02	15,40
315	8	5/16"	1/2"-20	1/4"-19	27,0	28,0	7,0	6,0	14	1252520-05-04	15,40
315	8	5/16"	1/2"-20	3/8"-19	28,0	30,0	10,0	6,0	19	1252520-05-06	20,95
315	10	3/8"	9/16"-18	1/8"-28						1252520-06-02	15,40
315	10	3/8"	9/16"-18	1/4"-19	27,0	28,0	7,0	8,0	14	1252520-06-04	14,75
315	10	3/8"	9/16"-18	3/8"-19	29,0	31,0	10,0	8,0	19	1252520-06-06	19,40
315	10	3/8"	9/16"-18	1/2"-14	31,0	37,0	14,0	8,0	22	1252520-06-08	26,90
315	12	1/2"	3/4"-16	1/4"-19	32,0	31,0	7,0	10,0	19	1252520-08-04	20,90
315	12	1/2"	3/4"-16	3/8"-19	32,0	31,0	10,0	10,0	19	1252520-08-06	19,40
315	12	1/2"	3/4"-16	1/2"-14	34,0	37,0	14,0	10,0	22	1252520-08-08	22,20
315	14, 15, 16	5/8"	7/8"-14	3/8"-19	37,0	33,0	10,0	12,0	22	1252520-10-06	22,40
315	14, 15, 16	5/8"	7/8"-14	1/2"-14	37,0	37,0	14,0	12,0	22	1252520-10-08	22,40
160	14, 15, 16	5/8"	7/8"-14	3/4"-14	39,0	40,0	18,0	12,0	27	1252520-10-12	35,00
315	18, 20	3/4"	1 1/16"-12	1/2"-14	42,0	40,0	14,0	16,0	27	1252520-12-08	30,20
160	18, 20	3/4"	1 1/16"-12	3/4"-14	42,0	40,0	18,0	16,0	27	1252520-12-12	30,20
160	18, 20	3/4"	1 1/16"-12	1"-11	45,0	50,0	24,0	16,0	33	1252520-12-16	55,00
160	25	1"	1 5/16"-12	1/2"-14						1252520-16-08	55,00
160	25	1"	1 5/16"-12	3/4"-14	46,0	45,0	18,0	22,0	33	1252520-16-12	45,10
160	25	1"	1 5/16"-12	1"-11	46,0	50,0	24,0	22,0	33	1252520-16-16	42,10
160	28, 30, 32	1 1/4"	1 5/8"-12	1"-11	52,0	60,0	24,0	28,0	41	1252520-20-16	85,50
160	28, 30, 32	1 1/4"	1 5/8"-12	1 1/4"-11	52,0	61,0	32,0	28,0	41	1252520-20-20	74,90
140	35, 38	1 1/2"	1 7/8"-12	1 1/4"-11						1252520-24-20	139,80
140	35, 38	1 1/2"	1 7/8"-12	1 1/2"-11	64,0	59,0	33,0	33,0	50	1252520-24-24	122,50



Gerade Schottverschraubungen

Straight Bulkhead Connections

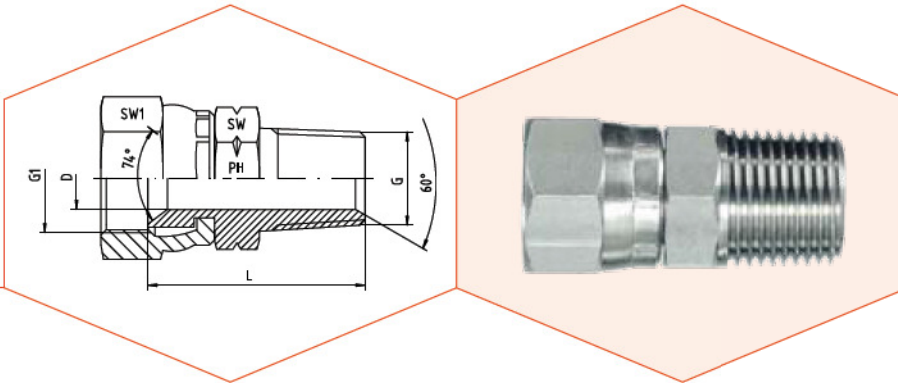
Druck Pressure PN	Rohr A.D. Tube O.D.		Gewinde Thread G	Ca. Maße Approx. Dimensions					Bestellzeichen Order-Code	Brutto-Preis Gross-Price Euro (€)
	mm	in.		L	L1	L2	D	SW		
350	6	1/4"	7/16"-20 UNF	52,5	14,0	31,5	4,0	17	1252513-04-04	9,98
350	8	5/16"	1/2"-20 UNF	52,5	14,0	31,5	6,0	19	1252513-05-05	10,30
350	10	3/8"	9/16"-18 UNF	55,5	14,0	33,0	7,5	22	1252513-06-06	11,73
350	12	1/2"	3/4"-16 UNF	62,0	16,5	37,0	10,0	24	1252513-08-08	13,85
350	14, 15, 16	5/8"	7/8"-14 UNF	69,5	19,0	40,5	12,0	30	1252513-10-10	18,95
350	18, 20	3/4"	1 1/16"-12 UN	78,5	21,5	45,0	15,5	36	1252513-12-12	25,80
280	25	1"	1 5/16"-12 UN	80,0	23,1	44,4	21,5	41	1252513-16-16	39,95
210	28, 30, 32	1 1/4"	1 5/8"-12 UN	84,0	24,3	45,7	27,5	50	1252513-20-20	52,50
210	35, 38	1 1/2"	1 7/8"-12 UN	89,5	27,5	46,0	33,0	55	1252513-24-24	77,25
150	50	2"	2 1/2"-12 UN	106,5	33,9	53,0	45,0	70	1252513-32-32	*



Winkel-Schottverschraubungen - 90°

90°-Elbow Bulkhead Connections

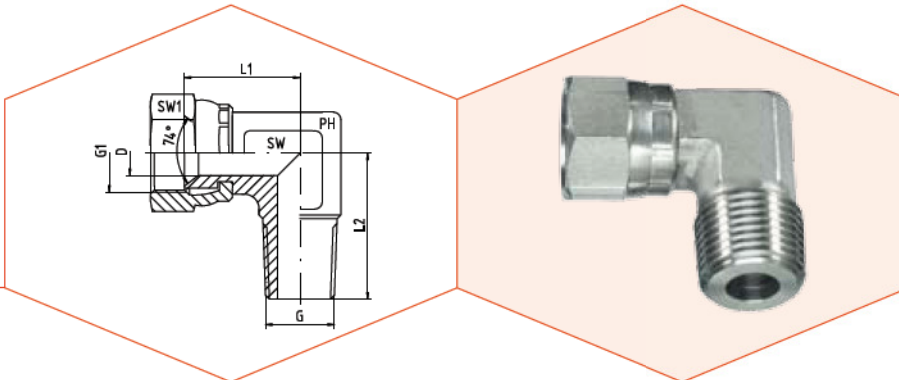
Druck Pressure PN	Rohr A.D. Tube O.D.		Gewinde Thread G	Ca. Maße Approx. Dimensions						Bestellzeichen Order-Code	Brutto-Preis Gross-Price Euro (€)
	mm	in.		L	L1	L2	D	SW	SW 1		
350	6	1/4"	7/16"-20 UNF	40	25	26	4,0	11	17	1252521-04-04	58,80
350	8	5/16"	1/2"-20 UNF	44	27	26	6,0	13	19	1252521-05-05	69,30
350	10	3/8"	9/16"-18 UNF	46	28	28	8,0	14	22	1252521-06-06	69,30
350	12	1/2"	3/4"-16 UNF	54	36	32	10,0	19	24	1252521-08-08	86,10
350	14, 15, 16	5/8"	7/8"-14 UNF	61	40	35	12,0	22	30	1252521-10-10	100,80
350	18, 20	3/4"	1 1/16"-12 UN	68	45	40	16,0	27	36	1252521-12-12	132,35
280	25	1"	1 5/16"-12 UN	71	49	40	22,0	41	41	1252521-16-16	163,80
210	28, 30, 32	1 1/4"	1 5/8"-12 UN	80	55	41	28,0	41	50	1252521-20-20	249,00



JIC - Weiblich - Drehbar
NPT - Männlich

JIC - Female - Swivel
NPT - Male

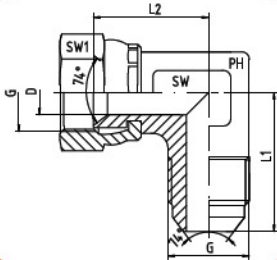
Druck Pressure PN	Rohr A.D. Tube O.D.		Gewinde Thread		Ca. Maße Approx. Dimensions				Bestellzeichen Order-Code G1 x G	Brutto-Preis Gross-Price Euro (€)
	mm	in.	G1 = UNF/UN	G = NPT	L	D	SW1	SW		
350	6	1/4"	7/16"-20	1/8"-27	24,0	4,0	17	12	1252518-04-02	15,10
350	6	1/4"	7/16"-20	1/4"-18	30,0	4,0	17	17	1252518-04-04	15,10
350	6	1/4"	7/16"-20	3/8"-18	30,0	4,0	17	19	1252518-04-06	20,50
350	8	5/16"	1/2"-20	1/8"-27	24,0	4,0	17	12	1252518-05-02	15,90
350	8	5/16"	1/2"-20	1/4"-18	30,0	4,0	17	14	1252518-05-04	15,90
350	8	5/16"	1/2"-20	3/8"-18	31,0	4,0	17	19	1252518-05-06	20,50
350	10	3/8"	9/16"-18	1/8"-27	24,5	4,0	19	14	1252518-06-02	15,20
350	10	3/8"	9/16"-18	1/4"-18	30,0	6,0	19	17	1252518-06-04	15,20
350	10	3/8"	9/16"-18	3/8"-18	31,5	7,0	19	19	1252518-06-06	15,20
350	10	3/8"	9/16"-18	1/2"-14	36,0	7,0	19	22	1252518-06-08	22,90
350	12	1/2"	3/4"-16	1/4"-18	32,0	6,0	24	17	1252518-08-04	20,95
350	12	1/2"	3/4"-16	3/8"-18	32,5	9,0	24	19	1252518-08-06	20,30
350	12	1/2"	3/4"-16	1/2"-14	39,0	9,0	24	22	1252518-08-08	20,20
280	12	1/2"	3/4"-16	3/4"-14	40,0	10,0	24	27	1252518-08-12	30,40
350	14, 15, 16	5/8"	7/8"-14	3/8"-18	35,0	9,0	27	22	1252518-10-06	25,90
350	14, 15, 16	5/8"	7/8"-14	1/2"-14	40,0	12,0	27	22	1252518-10-08	25,00
280	14, 15, 16	5/8"	7/8"-14	3/4"-14	41,0	12,5	27	27	1252518-10-12	27,90
280	18, 20	3/4"	1 1/16"-12	1/2"-14	41,0	13,5	32	27	1252518-12-08	28,50
280	18, 20	3/4"	1 1/16"-12	3/4"-14	41,0	15,0	32	27	1252518-12-12	28,50
280	18, 20	3/4"	1 1/16"-12	1"-11,5	46,0	15,0	32	36	1252518-12-16	44,50
280	25	1"	1 5/16"-12	1/2"-14					1252518-16-08	*
280	25	1"	1 5/16"-12	3/4"-14	45,0	18,0	41	32	1252518-16-12	44,90
280	25	1"	1 5/16"-12	1"-11,5	48,0	21,0	41	36	1252518-16-16	41,90
210	25	1"	1 5/16"-12	1 1/4"-11,5	52,0	21,0	41	46	1252518-16-20	69,00
210	28, 30, 32	1 1/4"	1 5/8"-12	1"-11,5	48,5	21,0	50	41	1252518-20-16	60,20
210	28, 30, 32	1 1/4"	1 5/8"-12	1 1/4"-11,5	52,0	27,5	50	46	1252518-20-20	60,20
210	28, 30, 32	1 1/4"	1 5/8"-12	1 1/2"-11,5			50		1252518-20-24	*
210	35, 38	1 1/2"	1 7/8"-12	1 1/4"-11,5	54,0	32,0	55	46	1252518-24-20	85,85
210	35, 38	1 1/2"	1 7/8"-12	1 1/2"-11,5	54,5	33,0	55	50	1252518-24-24	85,85



Winkel-Adapter
JIC - Weiblich - Drehbar
NPT - Männlich

90°-Swivel-Male-Elbow
JIC - Female - Swivel
NPT - Male

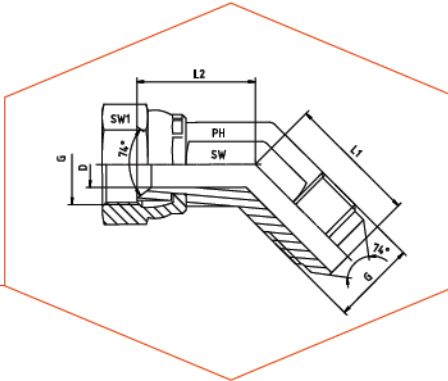
Druck Pressure PN	Rohr A.D. Tube O.D.		Gewinde Thread		Ca. Maße Approx. Dimensions					Bestellzeichen Order-Code G1 x G	Brutto-Preis Gross-Price Euro (€)
	mm	in.	G1 = UNF/UN	G = NPT	L1	L2	D	SW	SW1		
350	6	1/4"	7/16"-20	1/8"-27					17	1252519-04-02	16,25
350	6	1/4"	7/16"-20	1/4"-18	18,5	25,0	4,5	14	17	1252519-04-04	16,25
350	6	1/4"	7/16"-20	3/8"-18					17	1252519-04-06	*
350	8	5/16"	1/2"-20	1/8"-27					17	1252519-05-02	17,90
350	8	5/16"	1/2"-20	1/4"-18	18,5	25,0	6,0	14	17	1252519-05-04	17,90
350	8	5/16"	1/2"-20	3/8"-18					17	1252519-05-06	*
350	10	3/8"	9/16"-18	1/4"-18	22,3	25,0	7,5	14	19	1252519-06-04	17,90
350	10	3/8"	9/16"-18	3/8"-18	22,3	27,0	7,5	14	19	1252519-06-06	17,90
350	10	3/8"	9/16"-18	1/2"-14					19	1252519-06-08	*
350	12	1/2"	3/4"-16	1/4"-18	24,5	29,5	10,0	19	24	1252519-08-04	24,50
350	12	1/2"	3/4"-16	3/8"-18	24,5	29,5	10,0	19	24	1252519-08-06	23,95
350	12	1/2"	3/4"-16	1/2"-14	24,5	34,0	10,0		24	1252519-08-08	23,25
280	12	1/2"	3/4"-16	3/4"-14					24	1252519-08-12	*
350	14, 15, 16	5/8"	7/8"-14	3/8"-18	29,5	37,0	12,0	24	27	1252519-10-06	26,95
350	14, 15, 16	5/8"	7/8"-14	1/2"-14	29,5	38,0	12,0	24	27	1252519-10-08	26,75
280	14, 15, 16	5/8"	7/8"-14	3/4"-14	29,5	41,5	12,0	24	27	1252519-10-12	28,90
280	18, 20	3/4"	1 1/16"-12	1/2"-14	31,0	38,0	15,5	24	32	1252519-12-08	33,75
280	18, 20	3/4"	1 1/16"-12	3/4"-14	31,0	41,5	15,5	24	32	1252519-12-12	33,75
280	18, 20	3/4"	1 1/16"-12	1"-11,5					32	1252519-12-16	*
280	25	1"	1 5/16"-12	3/4"-14	37,0	46,0	21,0	33	41	1252519-16-12	52,90
280	25	1"	1 5/16"-12	1"-11,5				33	41	1252519-16-16	47,50
210	25	1"	1 5/16"-12	1 1/4"-11,5					41	1252519-16-20	*
210	28, 30, 32	1 1/4"	1 5/8"-12	1"-11,5					50	1252519-20-16	*
210	28, 30, 32	1 1/4"	1 5/8"-12	1 1/4"-11,5					50	1252519-20-20	63,25
210	28, 30, 32	1 1/4"	1 5/8"-12	1 1/2"-11,5					50	1252519-20-24	*
210	35, 38	1 1/2"	1 7/8"-12	1 1/4"-11,5					55	1252519-24-20	*
210	35, 38	1 1/2"	1 7/8"-12	1 1/2"-11,5	47,2	63,0	33,0	50	55	1252519-24-24	117,85



Winkel-Adapter - 90°
 DKJ - AGJ

Swivel-Elbow-Adaptors - 90°
 DKJ - AGJ

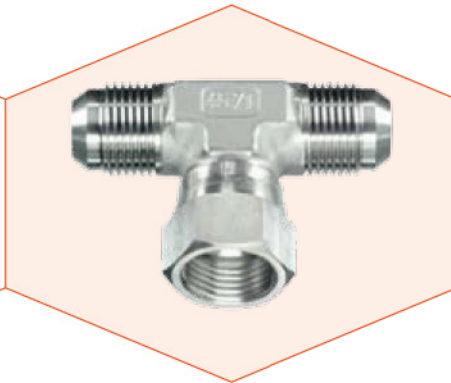
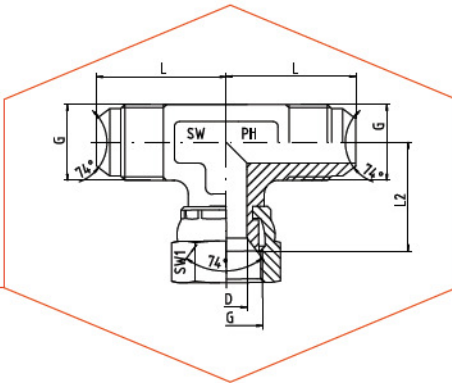
Druck Pressure PN	Rohr A.D. Tube O.D.		Gewinde Thread G = UNF/UN	Ca. Maße Approx. Dimensions					Bestellzeichen Order-Code	Brutto-Preis Gross-Price Euro (€)
	mm	in.		L1	L2	D	SW	SW1		
350	6	1/4"	7/16"-20	22,5	16,7	4,0	12	14	1252514-04-04	23,50
350	8	5/16"	1/2"-20	24,0	17,5	5,5	13	17	1252514-05-05	21,40
350	10	3/8"	9/16"-18	27,0	22,5	7,5	14	19	1252514-06-06	26,80
350	12	1/2"	3/4"-16	32,0	24,5	10,0	19	24	1252514-08-08	32,70
350	14, 15, 16	5/8"	7/8"-14	37,5	29,5	12,0	24	27	1252514-10-10	35,35
350	18, 20	3/4"	1 1/16"-12	42,0	31,0	15,5	24	32	1252514-12-12	41,75
250	25	1"	1 5/16"-12	46,0	35,7	21,5	33	41	1252514-16-16	63,55
210	28, 30, 32	1 1/4"	1 5/8"-12	52,5	42,8	27,5	41	50	1252514-20-20	90,75
140	35, 38	1 1/2"	1 7/8"-12	64,0	47,2	33,0	48	60	1252514-24-24	125,00
150	50	2"	2 1/2"-12	76,5	62,0	45,0	65	75	1252514-32-32	537,00



Winkel-Adapter - 45°
DKJ - AGJ

Swivel-Elbow-Adaptors - 45°
DKJ - AGJ

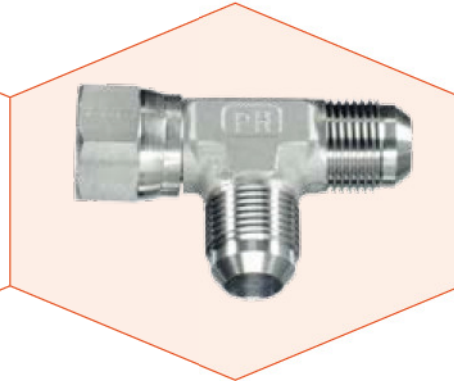
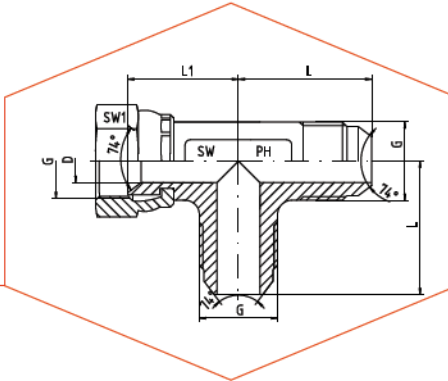
Druck Pressure PN	Rohr A.D. Tube O.D.		Gewinde Thread G = UNF/UN	Ca. Maße Approx. Dimensions					Bestellzeichen Order-Code	Brutto-Preis Gross-Price Euro (€)
	mm	in.		L1	L2	D	SW	SW1		
350	6	1/4"	7/16"-20	18	15	4,0	12	14	1252522-04-04	35,25
350	8	5/16"	1/2"-20	20	16	5,5	14	17	1252522-05-05	32,10
350	10	3/8"	9/16"-18	21	19	7,5	14	19	1252522-06-06	40,20
350	12	1/2"	3/4"-16	25	22	10,0	19	24	1252522-08-08	49,05
350	14, 15, 16	5/8"	7/8"-14	28	24	12,0	24	27	1252522-10-10	53,00
350	18, 20	3/4"	1 1/16"-12	33	24	15,5	24	32	1252522-12-12	62,60
250	25	1"	1 5/16"-12	37	29	21,5	33	41	1252522-16-16	95,30
210	28, 30, 32	1 1/4"	1 5/8"-12	40	36	27,5	41	50	1252522-20-20	144,00
140	35, 38	1 1/2"	1 7/8"-12	45	39	33,0	48	60	1252522-24-24	188,00



TE-Adapter
 AGJ - DKJ - AGJ

Swivel-Branch-Tee
 AGJ - DKJ - AGJ

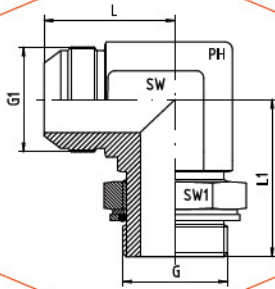
Druck Pressure PN	Rohr A.D. Tube O.D.		Gewinde Thread G	Ca. Maße Approx. Dimensions					Bestellzeichen Order-Code	Brutto-Preis Gross-Price Euro (€)
	mm	in.		L	L2	D	SW	SW1		
350	6	1/4"	7/16"-20 UNF	22,5	16,7	4,0	12	14	1252515-04-04-04	28,90
350	8	5/16"	1/2"-20 UNF	24,0	17,5	5,5	13	17	1252515-05-05-05	28,90
350	10	3/8"	9/16"-18 UNF	27,0	22,3	7,5	14	19	1252515-06-06-06	30,40
350	12	1/2"	3/4"-16 UNF	31,0	24,5	10,0	19	24	1252515-08-08-08	41,75
350	14, 15, 16	5/8"	7/8"-14 UNF	37,5	29,5	12,0	24	27	1252515-10-10-10	46,25
350	18, 20	3/4"	1 1/16"-12 UN	42,0	31,0	15,5	24	32	1252515-12-12-12	55,25
250	25	1"	1 5/16"-12 UN	46,0	35,7	21,5	33	41	1252515-16-16-16	70,75
210	28, 30, 32	1 1/4"	1 5/8"-12 UN	52,5	42,8	27,5	41	50	1252515-20-20-20	121,00
170	35, 38	1 1/2"	1 7/8"-12 UN	59,0	47,2	33,0	48	60	1252515-24-24-24	148,50



LE-Adapter
DKJ - AGJ - AGJ

Swivel-Run-Tee
DKJ - AGJ - AGJ

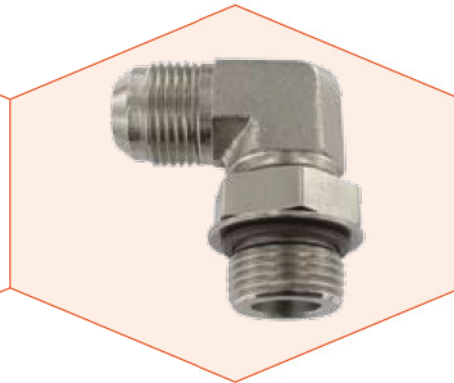
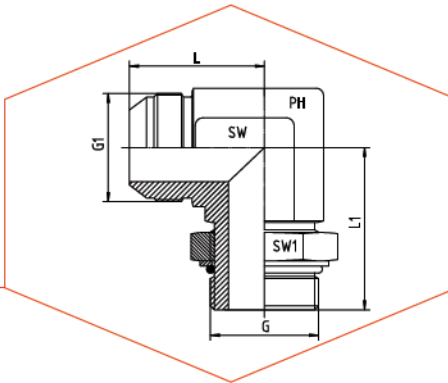
Druck Pressure PN	Rohr A.D. Tube O.D.		Gewinde Thread G	Ca. Maße Approx. Dimensions					Bestellzeichen Order-Code	Brutto-Preis Gross-Price Euro (€)
	mm	in.		L	L1	D	SW	SW1		
350	6	1/4"	7/16"-20 UNF	22,5	16,7	4,0	12	14	1252516-04-04-04	28,90
350	8	5/16"	1/2"-20 UNF	24,0	17,5	5,5	13	17	1252516-05-05-05	28,90
350	10	3/8"	9/16"-18 UNF	27,0	22,3	7,5	14	19	1252516-06-06-06	30,40
350	12	1/2"	3/4"-16 UNF	31,0	24,5	10,0	19	24	1252516-08-08-08	41,75
350	14, 15, 16	5/8"	7/8"-14 UNF	37,5	29,5	12,0	24	27	1252516-10-10-10	46,25
350	18, 20	3/4"	1 1/16"-12 UN	42,0	31,0	15,5	24	32	1252516-12-12-12	55,25
250	25	1"	1 5/16"-12 UN	46,0	35,7	21,5	33	41	1252516-16-16-16	70,75
210	28, 30, 32	1 1/4"	1 5/8"-12 UN	52,5	42,8	27,5	41	50	1252516-20-20-20	121,00
170	35, 38	1 1/2"	1 7/8"-12 UN	59,9	47,2	33,0	48	60	1252516-24-24-24	148,50



Einstellbare Winkel-Verschraubungen - 90°
Einschraubgewinde G: Whitworth-Rohrgewinde - Zylindrisch
Abdichtung durch gekammerten O-Ring

Adjustable Stud Elbows - 90°
Thread: BSP - Parallel
Sealing by Captive O-ring and Washer

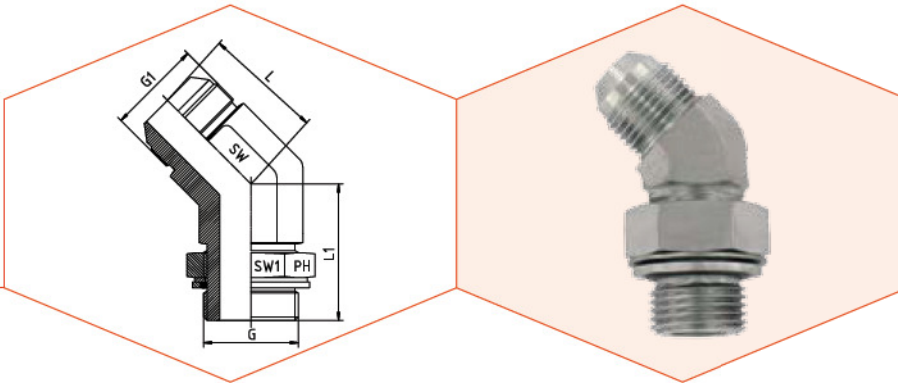
Druck Pressure PN	Rohr A.D. Tube O.D.		Gewinde Thread		Ca. Maße Approx. Dimensions				Bestellzeichen Order-Code G1 x G	Brutto-Preis Gross-Price Euro (€)
	mm	in.	G1 = UNF/UN	G = BSP	L	L1	SW	SW1		
250	6	1/4"	7/16"-20	1/8"	22,6	26,5	11	14	1252530-04-02	18,80
200	6	1/4"	7/16"-20	1/4"	22,6	32,0	14	19	1252530-04-04	18,80
200	8	5/16"	1/2"-20	1/4"	26,6	32,0	14	19	1252530-05-04	18,80
200	10	3/8"	9/16"-18	1/4"	26,9	32,0	14	19	1252530-06-04	19,00
200	10	3/8"	9/16"-18	3/8"	29,0	37,0	19	22	1252530-06-06	25,00
200	10	3/8"	9/16"-18	1/2"	31,0	43,0	22	27	1252530-06-08	29,70
200	12	1/2"	3/4"-16	3/8"	31,8	37,0	19	22	1252530-08-06	27,00
200	12	1/2"	3/4"-16	1/2"	33,8	43,0	22	27	1252530-08-08	29,70
200	14, 15, 16	5/8"	7/8"-14	1/2"	36,8	43,0	22	27	1252530-10-08	29,70
200	18, 20	3/4"	1 1/16"-12	1/2"	42,2	49,5	27	27	1252530-12-08	40,00
200	18, 20	3/4"	1 1/16"-12	3/4"	42,2	49,5	27	36	1252530-12-12	40,90
200	25	1"	1 5/16"-12	1"	46,0	52,0	33	41	1252530-16-16	55,90
160	28, 30, 32	1 1/4"	1 5/8"-12	1 1/4"	52,3	57,0	41	50	1252530-20-20	105,00
140	35, 38	1 1/2"	1 7/8"-12	1 1/2"	59,2	60,5		55	1252530-24-24	229,00



Einstellbare Winkel-Verschraubungen - 90°
Einschraubgewinde G: UN/UNF
Abdichtung durch O-Ring

Adjustable Stud Elbows - 90°
Thread: UN/UNF
Sealing by O-ring

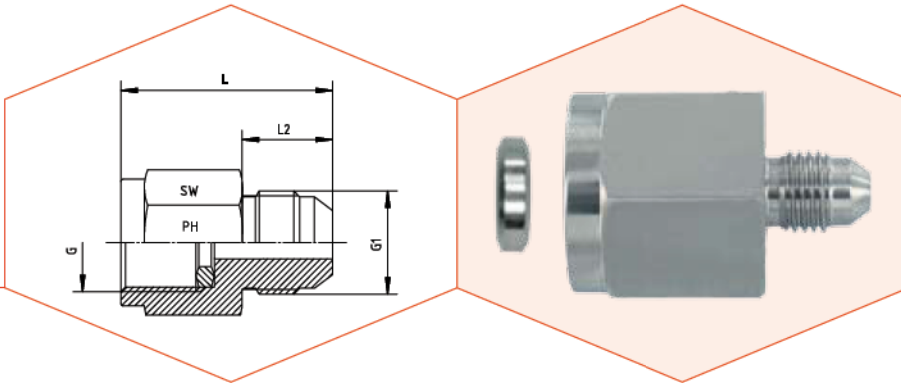
Druck Pressure PN	Rohr A.D. Tube O.D.		Gewinde Thread		Ca. Maße Approx. Dimensions				Bestellzeichen Order-Code G1 x G	Brutto-Preis Gross-Price Euro (€)
	mm	in.	G1 = UNF/UN	G = UN/UNF	L	L1	SW	SW1		
350	6	1/4"	7/16"-20	7/16"-20	23	26	11	14	1252533-04-04	24,40
350	8	5/16"	1/2"-20	1/2"-20	24	29	13	16	1252533-05-05	24,90
350	10	3/8"	9/16"-18	9/16"-18	27	32	14	17	1252533-06-06	32,00
350	12	1/2"	3/4"-16	3/4"-16	32	37	19	22	1252533-08-08	37,50
350	14, 15, 16	5/8"	7/8"-14	7/8"-14	37	43	22	27	1252533-10-10	45,00
350	18, 20	3/4"	1 1/16"-12	1 1/16"-12	42	49	27	32	1252533-12-12	51,90
280	25	1"	1 5/16"-12	1 5/16"-12	46	52	33	38	1252533-16-16	73,00
210	28, 30, 32	1 1/4"	1 5/8"-12	1 5/8"-12	52	57	41	50	1252533-20-20	149,00
140	35, 38	1 1/2"	1 7/8"-12	1 7/8"-12	59	61	48	55	1252533-24-24	244,00



Einstellbare Winkel-Verschraubungen - 45°
Einschraubgewinde G: Whitworth-Rohrgewinde - Zylindrisch
Abdichtung durch gekammerten O-Ring

Adjustable Stud Elbows - 45°
Thread: BSP - Parallel
Sealing by Captive O-ring and Washer

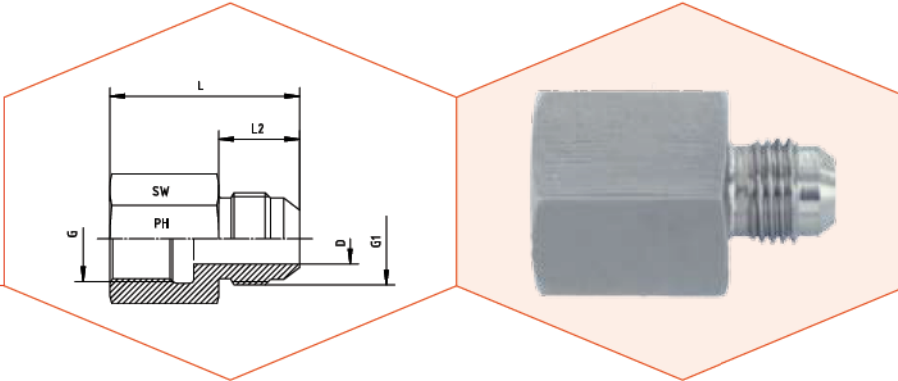
Druck Pressure PN	Rohr A.D. Tube O.D.		Gewinde Thread		Ca. Maße Approx. Dimensions				Bestellzeichen Order-Code G1 x G	Brutto-Preis Gross-Price Euro (€)
	mm	in.	G1 = UNF/UN	G = BSP	L	L1	SW	SW1		
250	6	1/4"	7/16"-20	1/8"	18	27	11	14	1252534-04-02	20,70
200	6	1/4"	7/16"-20	1/4"	21	29	14	19	1252534-04-04	20,70
200	8	5/16"	1/2"-20	1/8"	20	27	14	14	1252534-05-02	20,70
200	8	5/16"	1/2"-20	1/4"	21	27	14	19	1252534-05-04	20,70
200	10	3/8"	9/16"-18	1/4"	21	29	14	19	1252534-06-04	20,70
200	10	3/8"	9/16"-18	3/8"	22	33	19	22	1252534-06-06	27,50
200	10	3/8"	9/16"-18	1/2"	22	39	22	27	1252534-06-08	32,70
200	12	1/2"	3/4"-16	3/8"	25	33	19	22	1252534-08-06	29,70
200	12	1/2"	3/4"-16	1/2"	25	39	22	27	1252534-08-08	32,70
200	14, 15, 16	5/8"	7/8"-14	1/2"	28	39	22	27	1252534-10-08	32,70
200	18, 20	3/4"	1 1/16"-12	3/4"	33	44	27	36	1252534-12-12	45,50



Mit JIC-Gewinde und Dichtkantenring - DKRi
Innengewinde: Whitworth-Rohrgewinde - Zylindrisch

With JIC - Male and Metal Sealing Ring - DKRi
Internal Thread: BSP - Female - Parallel

Druck Pressure PN	Rohr A.D. Tube O.D.		Gewinde Thread		Ca. Maße Approx. Dimensions			Bestellzeichen Order-Code G1 x G	Brutto-Preis Gross-Price Euro (€)
	mm	in.	G1 = UNF	G = BSP	L	L2	SW		
350	6	1/4"	7/16"-20	1/4"-19	33	14	17	1252531-04-04	19,00
350	6	1/4"	7/16"-20	1/2"-14	40	14	27	1252531-04-08	29,90
350	8	5/16"	1/2"-20	1/4"-19	33	14	17	1252531-05-04	19,00
350	8	5/16"	1/2"-20	1/2"-14	40	14	27	1252531-05-08	29,90
350	10	3/8"	9/16"-18	1/4"-19	30	14	17	1252531-06-04	19,00
350	10	3/8"	9/16"-18	1/2"-14	40	14	27	1252531-06-08	27,50
350	12	1/2"	3/4"-16	1/4"-19	31	17	22	1252531-08-04	24,40
350	12	1/2"	3/4"-16	1/2"-14	44	17	27	1252531-08-08	25,50



Mit JIC-Gewinde
 Innengewinde: Whitworth-Rohrgewinde - Zylindrisch

JIC - Male
 Internal Thread: BSP - Female - Fixed

Druck Pressure PN	Rohr A.D. Tube O.D.		Gewinde Thread		Ca. Maße Approx. Dimensions				Bestellzeichen Order-Code G1 x G	Brutto-Preis Gross-Price Euro (€)
	mm	in.	G1 = UNF/UN	G = BSP	L	L2	D	SW		
350	6	1/4"	7/16"-20	1/8"-28	30,0	14,0	4,5	14	1252532-04-02	10,30
350	6	1/4"	7/16"-20	1/4"-19	35,0	14,0	4,5	19	1252532-04-04	10,30
350	8	5/16"	1/2"-20	1/8"-28	30,0	14,0	5,0	14	1252532-05-02	13,50
350	8	5/16"	1/2"-20	1/4"-19	35,0	14,0	6,0	19	1252532-05-04	13,50
350	10	3/8"	9/16"-18	1/4"-19	35,5	14,0	7,5	19	1252532-06-04	13,50
350	10	3/8"	9/16"-18	3/8"-19	37,0	14,0	7,5	22	1252532-06-06	11,30
350	12	1/2"	3/4"-16	3/8"-19	39,5	17,0	10,0	22	1252532-08-06	14,90
350	12	1/2"	3/4"-16	1/2"-14	45,5	17,0	10,0	27	1252532-08-08	14,90
350	14, 15, 16	5/8"	7/8"-14	1/2"-14	48,0	19,5	12,5	27	1252532-10-08	17,00
315	18, 20	3/4"	1 1/16"-12	3/4"-14	52,0	22,0	15,5	36	1252532-12-12	23,50
280	25	1"	1 5/16"-12	1"-11	59,5	23,0	21,5	41	1252532-16-16	37,00
210	28, 30, 32	1 1/4"	1 5/8"-12	1 1/4"-11	63,0	24,3	27,5	50	1252532-20-20	53,00
140	35, 38	1 1/2"	1 7/8"-12	1 1/2"-11	66,5	27,5	33,0	55	1252532-24-24	72,50