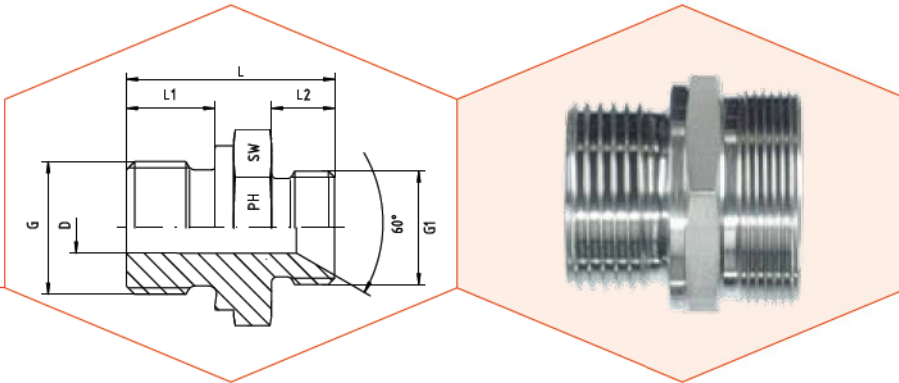


Bilder Images	Produktgruppen	Product Groups	Rubrik Category
	Gerade Adapter - BSP - Metrisch - 60°-Konus	Straight Adaptors - BSP - Metric - 60°-Cone	5.3
	Gerade Anschweißstutzen - Metrisch - 60°-Konus	Straight Welding Adaptors - Metric - 60°-Cone	5.4
	<b>Gerade Adapter</b>	<b>Straight Adaptors</b>	
	- BSP - Zylindrisch - BSP - Kegelig	- BSP - Parallel - BSP - Taper	5.5
	- BSP - Zylindrisch - 60°-Konus	- BSP - Parallel - 60°-Cone	5.6
	- BSP - Zylindrisch - Flachdichtend	- BSP - Parallel - Flat Face	5.7
	- BSP - Zylindrisch - Reduziert - 60°-Konus	- BSP - Parallel - Reduced - 60°-Cone	5.8
	- BSP - Zylindrisch - NPT	- BSP - Parallel - NPT	5.9
	- NPT - NPT	- NPT - NPT	5.10
	- NPT - NPT - Reduziert	- NPT - NPT - Reduced	5.11
	- BSP - Kegelig - BSP - Kegelig	- BSP - Taper - BSP - Taper	5.12
- BSP - Kegelig - BSP - Kegelig - Reduziert	- BSP - Taper - BSP - Taper - Reduced	5.13	
	<b>Verschlussstopfen</b>	<b>Plug</b>	
	- BSP - Kegelig	- BSP - Taper	5.14
	- NPT	- NPT - Male	5.15
	<b>Gerade Adapter</b>	<b>Straight Adaptors</b>	
	- BSP - Weiblich - BSP - Kegelig	- BSP - Female - BSP - Taper	5.16
	- BSP - Weiblich - NPT - Männlich	- BSP - Female - NPT - Male	5.17
	- BSP - Weiblich - BSP - Zylindrisch	- BSP - Female - BSP - Parallel	5.18
	<b>Adapter - DKR</b>	<b>Adaptors - DKR</b>	
	- Gerade Adapter - BSP - Weiblich	- Straight Adaptors - BSP - Female	5.19
	- Winkel-Adapter - BSP - Weiblich	- Elbow-Adaptors - BSP - Female	5.20
	- T-Adapter - BSP - Weiblich	- T-Adaptors - BSP - Female	5.21
	- K-Adapter - BSP - Weiblich	- K-Adaptors - BSP - Female	5.22
	<b>Adapter</b>	<b>Adaptors</b>	
	- Winkel-Adapter - BSP - Zylindrisch - Männlich	- Elbow-Adaptors - BSP - Male	5.23
	- Winkel-Adapter - NPT - NPT - Männlich - 90°	- Elbow-Adaptors - NPT - NPT - Male - 90°	5.24
	- T-Adapter - BSP - Zylindrisch - Männlich	- T-Adaptors - BSP - Male	5.25
	- K-Adapter - BSP - Zylindrisch - Männlich	- K-Adaptors - BSP - Male	5.26
	<b>WE-Kompakt-Winkeladapter</b>	<b>WE-Block-Elbow-Adaptors</b>	
	- 90° - BSP - Weiblich - BSP - Zylindrisch - Männlich	- 90° - BSP - Female - BSP - Male	5.27
	- 45° - BSP - Weiblich - BSP - Zylindrisch - Männlich	- 45° - BSP - Female - BSP - Male	5.28
	<b>Adapter</b>	<b>Adaptors</b>	
	- LE-Adapter - BSP - Weiblich - BSP - Zylindrisch - Männlich	- LE-Adaptors - BSP - Female - BSP - Male	5.29
	- TE-Adapter - BSP - Weiblich - BSP - Zylindrisch - Männlich	- TE-Adaptors - BSP - Female - BSP - Male	5.30
	<b>Adapter</b>	<b>Adaptors</b>	
	- Winkel-Adapter - BSP - Zylindrisch	- Elbow-Adaptors - BSP - Parallel	5.31
	- T-Adapter - BSP - Zylindrisch	- T-Adaptors - BSP - Parallel	5.32

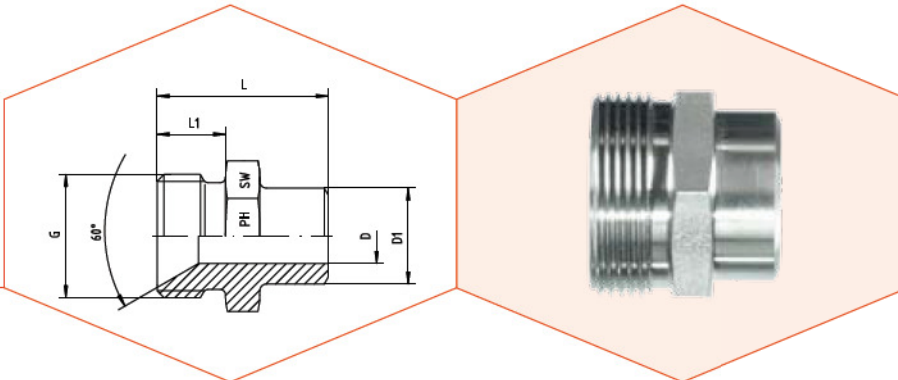
Bilder Images	Produktgruppen	Product Groups	Rubrik Category
	Gerade Schott-Adapter - BSP - Zylindrisch - Männlich	<i>Straight Bulkhead Adaptors - BSP - Male</i>	5.33
	<b>Winkel-Adapter</b> - BSP - Zylindrisch - Männlich - BSP - Kegelig - Männlich	<i>Elbow-Adaptors</i> - <i>BSP - Male - BSP - Taper - Male</i>	5.34
	<b>Sechskant-Muffen</b> - BSP - Zylindrisch - BSP - Zylindrisch - Reduziert - NPT	<i>Hexagon Sockets</i> - <i>BSP - Female</i> - <i>BSP - Female - Reduced</i> - <i>NPT - Female</i>	5.35 5.36 5.37
	Verschlusskappen - DKR - BSP - Weiblich	<i>Swivel Caps - DKR - BSP - Female</i>	5.38
	Verschlussstopfen - BSP - Zylindrisch mit Außen-Sechskant	<i>BSP-60°-Coned Plug - Parallel with Outside Hexagon</i>	5.39
	Sechskant-Adapter - BSP - Außen/Innen	<i>Hexagon Adaptors - BSP - Male/Female</i>	5.40
	<b>Gewinde-Reduzierungen</b> - BSP - Außen - NPT - Innen - Form A - BSP - Außen - NPT - Innen - Form B - NPT - Außen - BSP - Innen - Form A - NPT - Außen - BSP - Innen - Form B - NPT - Außen - NPT - Innen - Form A - NPT - Außen - NPT - Innen - Form B	<i>Male/Female Stud Adaptors</i> - <i>BSP - Male - NPT - Female - Form A</i> - <i>BSP - Male - NPT - Female - Form B</i> - <i>NPT - Male - BSP - Female - Form A</i> - <i>NPT - Male - BSP - Female - Form B</i> - <i>NPT - Male - NPT - Female - Form A</i> - <i>NPT - Male - NPT - Female - Form B</i>	5.41 5.42 5.43 5.44 5.45 5.46
	<b>Sechskant-Kappen</b> - BSP - Zylindrisch - Innen - NPT - Innen	<i>Hexagon Caps</i> - <i>BSP - Parallel - Female</i> - <i>NPT - Female</i>	5.47 5.48
	<b>EVW-Verschraubungen</b> - 90° - BSP - Männlich	<i>Male Stud Elbows</i> - <i>90° - BSP - Male</i>	5.49
	Gegenmutter für Schottverschraubungen - Zylindrisch	<i>Locknuts for Bulkhead Couplings - BSP - Parallel</i>	5.50



BSP mit angedrehter Dichtkante Form B  
Metrisch mit 60°-Innenkonus

BSP with Sealing Shoulder Form B  
Metric with 60°-Cone

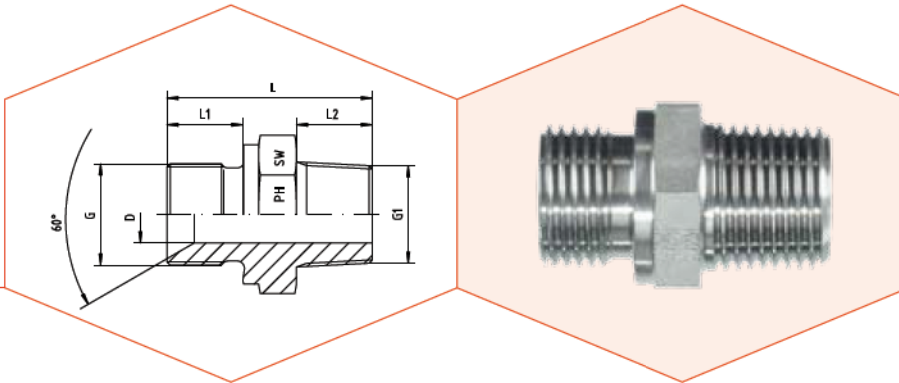
Druck Pressure PN	Gewinde Thread		Ca. Maße Approx. Dimensions					Bestellzeichen Order-Code	Brutto-Preis Gross-Price Euro (€)
	G = BSP	G1	L	L1	L2	D	SW		
250	1/2"	M 18 x 1,5	34	14	11	10	27	0226820-08-06	13,50
250	1/2"	M 22 x 1,5	35	14	12	11	27	0226820-08	13,50
250	1/2"	M 26 x 1,5	38	14	12	14	27	0226820-08-10	13,50
160	1/2"	M 30 x 1,5	36	14	12	12	32	0226820-08-12	17,95
160	3/4"	M 26 x 1,5	38	16	12	15	32	0226820-12-10	17,20
160	3/4"	M 30 x 1,5	39	16	14	20	32	0226820-12	15,30
160	1"	M 30 x 1,5	41	18	14	20	41	0226821-16-12	28,30
160	1"	M 38 x 1,5	41	18	14	24	41	0226825-16	25,30
100	1 1/4"	M 38 x 1,5	44	20	14	25	50	0226826-20-16	40,50
100	1 1/4"	M 45 x 1,5	46	20	16	32	50	0226832-20	35,50
100	1 1/2"	M 45 x 1,5	49	22	16	32	55	0226833-24-20	55,50
100	1 1/2"	M 52 x 1,5	49	22	16	39	55	0226840-24	45,50
50	2"	M 65 x 2	54	24	17	45	70	0226850-32	69,70
50	2 1/2"	M 78 x 2	57	26	17	56	85	0226860-40	204,55
50	3"	M 100 x 2	68	28	22	76	105	0226880-48	450,00



Metrisch - Fein mit 60°-Innenkonus

Metric - Pitch 1,5 mm and 2 mm with 60°-Cone

Druck Pressure PN	Gewinde Thread G	Ca. Maße Approx. Dimensions					Bestellzeichen Order-Code	Brutto-Preis Gross-Price Euro (€)
		L	L1	D	D1	SW		
250	M 12 x 1,5	24	10	3,5	6	12	0806504-02	11,60
250	M 14 x 1,5	25	10	4,5	8	14	0806507-04	11,80
250	M 16 x 1,5	25	10	6,0	10	17	0806509-05	12,00
250	M 18 x 1,5	25	10	8,0	14	19	0806511-06	12,00
250	M 22 x 1,5	27	12	10,5	17	22	0806514-08	13,00
250	M 26 x 1,5	28	12	13,0	21	27	0806517-10	14,00
160	M 30 x 1,5	28	12	15,5	25	30	0806521-12	15,00
160	M 38 x 1,5	30	14	21,0	30	41	0806526-16	24,00
100	M 45 x 1,5	31	14	28,0	38	46	0806533-20	30,00
100	M 52 x 1,5	32	14	35,0	44	55	0806541-24	36,50
50	M 65 x 2	36	17	45,0	57	65	0806551-32	56,00
50	M 78 x 2	36	17	55,0	64	80	0806561-40	118,50
50	M 90 x 2	47	22	67,0	76	90	0806571-48	140,50
50	M 100 x 2	47	22	77,0	89	100	0806581-56	179,20

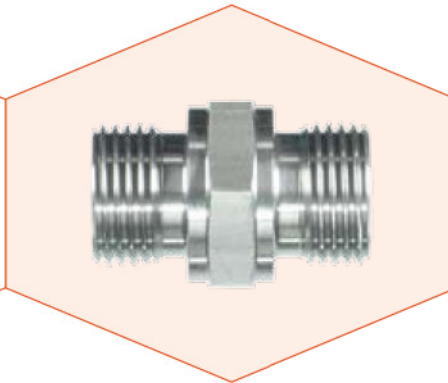
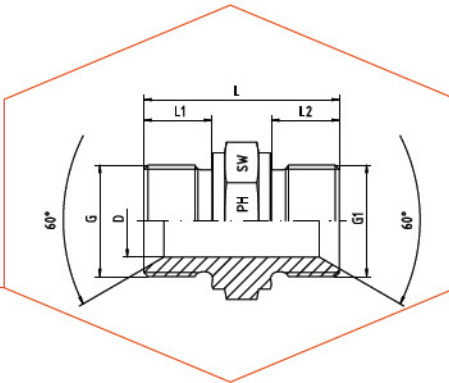


BSP - Zylindrisch - Männlich mit 60°-Konus  
BSP - Kegelig - Männlich  
Andere Größen auf Anfrage!

BSP - Male with 60°-Cone  
BSP - Taper - Male  
Other sizes on request!

Druck Pressure PN	Gewinde Thread		Ca. Maße Approx. Dimensions					Bestellzeichen Order-Code	Brutto-Preis Gross-Price Euro (€)
	G = BSP	G1 = BSPT	L	L1	L2	D	SW		
400	1/8"-28	1/8"-28	23,0	8	8	4,0	14	1050710-02-02	6,00
400	1/4"-19	1/4"-19	30,0	10	12	6,0	19	1050710-04-04	5,37
400	3/8"-19	3/8"-19	32,5	12	12	9,0	22	1050710-06-06	6,75
400	1/2"-14	1/2"-14	37,0	14	14	12,5	27	1050710-08-08	9,18
400	3/4"-14	3/4"-14	47,0	16	19	17,5	32	1050710-12-12	12,45
400	1"-11	1"-11	49,0	18	18	22,0	41	1050710-16-16	19,40
200	1 1/4"-11	1 1/4"-11	54,5	20	20	29,0	50	1050710-20-20	36,00
200	1 1/2"-11	1 1/2"-11	58,5	22	22	37,0	55	1050710-24-24	51,85
100	2"-11	2"-11	63,0	22	26	45,0	70	1050710-32-32	99,00

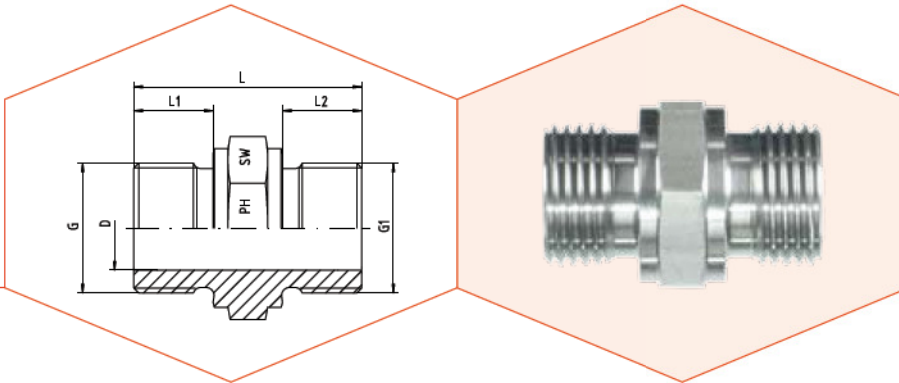
Druck Pressure PN	Gewinde Thread		Ca. Maße Approx. Dimensions					Bestellzeichen Order-Code	Brutto-Preis Gross-Price Euro (€)
	G = BSP	G1 = BSPT	L	L1	L2	D	SW		
400	1/4"-19	1/8"-28	26,0	10	8	4,0	19	1050710-04-02	6,95
400	1/4"-19	3/8"-19	32,0	10	12	7,0	19	1050710-04-06	8,45
400	1/4"-19	1/2"-14	40,0	10	19	6,0	22	1050710-04-08	10,35
400	3/8"-19	1/4"-19	33,0	12	12	7,0	22	1050710-06-04	8,45
400	3/8"-19	1/2"-14	42,0	12	19	9,0	22	1050710-06-08	10,30
400	1/2"-14	3/8"-19	37,0	14	12	9,0	27	1050710-08-06	10,30
400	1/2"-14	3/4"-14	45,0	14	19	12,5	27	1050710-08-12	15,65
400	3/4"-14	1/2"-14	40,0	16	14	12,5	32	1050710-12-08	15,95
400	3/4"-14	1"-11	45,0	16	18	17,5	36	1050710-12-16	19,50



**BSP - BSP**  
Mit 60°-Innenkonus und angelegter Dichtkante Form B  
Männlich - Männlich

**BSP - BSP**  
With 60°-Cone and Sealing Shoulder Form B  
Male - Male - Parallel

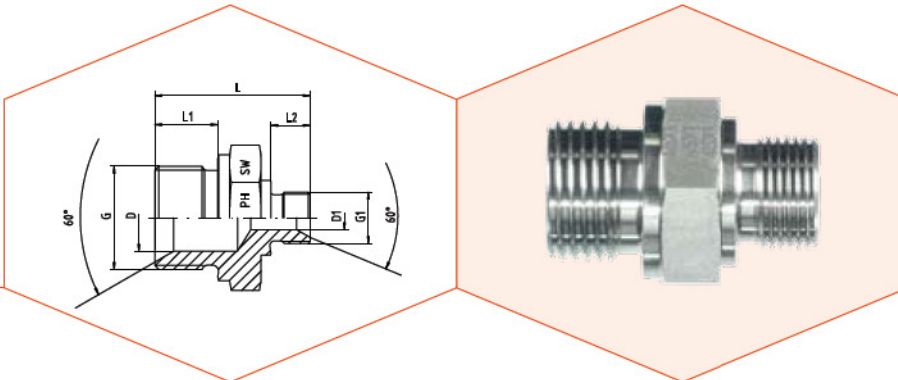
Druck Pressure PN	Gewinde Thread		Ca. Maße Approx. Dimensions					Bestellzeichen Order-Code	Brutto-Preis Gross-Price Euro (€)
	G = BSP	G1 = BSP	L	L1	L2	D	SW		
400	1/8"-28	1/8"-28	23,0	8	8	4,5	14	1050510-02-02	5,00
400	1/4"-19	1/4"-19	29,0	10	10	6,0	19	1050510-04-04	5,10
400	3/8"-19	3/8"-19	35,0	12	12	9,0	22	1050510-06-06	5,65
400	1/2"-14	1/2"-14	41,0	14	14	13,0	27	1050510-08-08	7,80
400	5/8"-14	5/8"-14	43,5	16	16	14,5	30	1050510-10-10	12,50
400	3/4"-14	3/4"-14	46,0	16	16	18,0	32	1050510-12-12	12,30
400	1"-11	1"-11	52,0	18	18	23,5	41	1050510-16-16	19,30
200	1 1/4"-11	1 1/4"-11	58,0	20	20	30,0	50	1050510-20-20	27,50
200	1 1/2"-11	1 1/2"-11	61,0	22	22	37,0	55	1050510-24-24	35,80
100	2"-11	2"-11	61,0	22	22	45,0	70	1050510-32-32	74,80
70	2 1/2"-11	2 1/2"-11	70,0	26	26	51,0	90	1050510-40-40	172,50



**BSP - BSP - Flachdichtend**  
Mit angedrehter Dichtkante Form B  
Männlich - Männlich

**BSP - BSP - Flat face**  
With Sealing Shoulder Form B  
Male - Male - Parallel

Druck Pressure PN	Gewinde Thread		Ca. Maße Approx. Dimensions					Bestellzeichen Order-Code	Brutto-Preis Gross-Price Euro (€)
	G = BSP	G1 = BSP	L	L1	L2	D	SW		
400	1/8"-28	1/8"-28	23,0	8	8	4,5	14	1050521-02-02	5,95
400	1/4"-19	1/4"-19	29,0	10	10	6,0	19	1050521-04-04	6,10
400	3/8"-19	3/8"-19	35,0	12	12	9,0	22	1050521-06-06	6,75
400	1/2"-14	1/2"-14	41,0	14	14	13,0	27	1050521-08-08	9,35
400	5/8"-14	5/8"-14	43,5	16	16	14,5	30	1050521-10-10	18,75
400	3/4"-14	3/4"-14	46,0	16	16	18,0	32	1050521-12-12	14,75
400	1"-11	1"-11	52,0	18	18	23,5	41	1050521-16-16	23,15
200	1 1/4"-11	1 1/4"-11	58,0	20	20	30,0	50	1050521-20-20	32,90
200	1 1/2"-11	1 1/2"-11	61,0	22	22	37,0	55	1050521-24-24	42,95
100	2"-11	2"-11	61,0	22	22	45,0	70	1050521-32-32	89,70
70	2 1/2"-11	2 1/2"-11	70,0	26	26	51,0	90	1050521-40-40	172,50

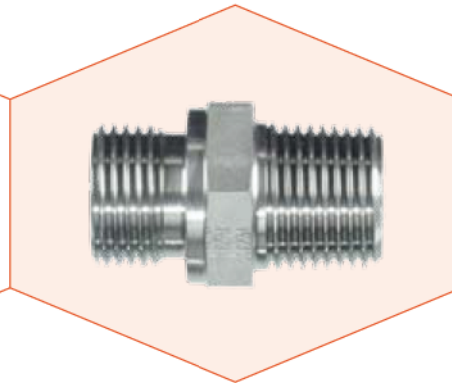
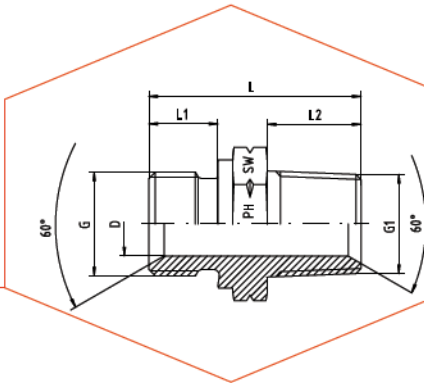


**BSP - BSP**  
Mit 60°-Innenkonus und angelegter Dichtkante Form B  
Männlich - Männlich

**BSP - BSP**  
With 60°-Cone and Sealing Shoulder Form B  
BSP - Male - Male

Druck Pressure PN	Gewinde Thread		Ca. Maße Approx. Dimensions						Bestellzeichen Order-Code	Brutto-Preis Gross-Price Euro (€)
	G = BSP	G1 = BSP	L	L1	L2	D	D1	SW		
400	1/4"-19	1/8"-28	28,0	12,0	8	6,0	4,5	19	1050510-04-02	5,30
400	3/8"-19	1/8"-28	30,5	12,0	8	9,0	4,5	22	1050510-06-02	7,30
400	3/8"-19	1/4"-19	33,0	12,0	11	9,0	7,0	22	1050510-06-04	6,60
400	1/2"-14	1/4"-19	38,0	14,0	11	12,5	7,0	27	1050510-08-04	9,00
400	1/2"-14	3/8"-19	40,0	14,0	12	13,0	9,0	27	1050510-08-06	8,90
400	5/8"-14	3/8"-19	40,0	14,0	12	14,0	8,0	30	1050510-10-06	16,80
400	5/8"-14	1/2"-14	42,0	16,0	14	14,5	11,5	30	1050510-10-08	14,15
400	3/4"-14	1/4"-19	39,5	16,0	10	18,0	6,0	32	1050510-12-04	17,95
400	3/4"-14	3/8"-19	41,0	16,0	12	18,0	9,0	32	1050510-12-06	15,15
400	3/4"-14	1/2"-14	45,0	16,0	14	18,0	13,0	32	1050510-12-08	14,10
400	3/4"-14	5/8"-14	45,0	16,0	16	17,0	14,5	32	1050510-12-10	16,05
400	1"-11	3/8"-19	47,0	18,0	12	23,0	9,0	41	1050510-16-06	24,50
400	1"-11	1/2"-14	48,0	18,0	14	23,5	13,0	41	1050510-16-08	23,50
400	1"-11	3/4"-14	53,0	18,0	16	23,5	17,0	41	1050510-16-12	22,00
200	1 1/4"-11	1/2"-14	51,0	20,0	14	30,0	13,0	50	1050510-20-08	37,95
200	1 1/4"-11	3/4"-14	53,5	20,0	16	30,5	18,0	50	1050510-20-12	33,50
200	1 1/4"-11	1"-11	58,0	20,0	18	30,5	23,0	50	1050510-20-16	31,50
200	1 1/2"-11	3/4"-14	55,0	22,0	16	37,0	17,0	55	1050510-24-12	56,80
200	1 1/2"-11	1"-11	57,0	22,0	18	37,0	23,5	55	1050510-24-16	50,75
200	1 1/2"-11	1 1/4"-11	61,0	22,0	20	37,0	30,0	55	1050510-24-20	48,50
100	2"-11	1"-11	59,0	22,0	18	43,0	23,5	70	1050510-32-16	99,90
100	2"-11	1 1/4"-11	59,0	22,0	20	45,0	30,0	70	1050510-32-20	92,50
100	2"-11	1 1/2"-11	61,0	22,0	22	45,0	37,0	70	1050510-32-24	82,00



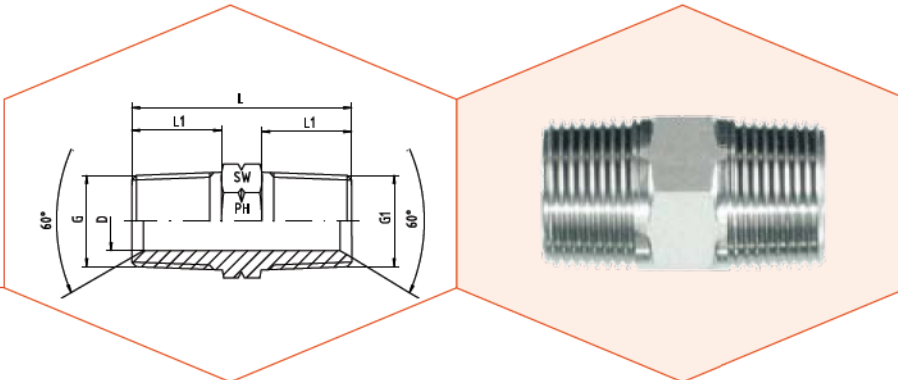


BSP - Zylindrisch - Männlich mit 60°-Konus und  
angedrehter Dichtkante Form B  
NPT - Männlich mit 60°-Konus  
Andere Größen auf Anfrage!

BSP - Male with 60°-Cone and Sealing Shoulder Form B  
NPT - Male with 60°-Cone  
Other sizes on request!

Druck Pressure PN	Gewinde Thread		Ca. Maße Approx. Dimensions					Bestellzeichen Order-Code BSP x NPT	Brutto-Preis Gross-Price Euro (€)
	G = BSP	G1 = NPT	L	L1	L2	D	SW		
400	1/8"-28	1/8"-27	24,5	8	10,0	4,0	14	1052810-02-02	6,10
400	1/4"-19	1/4"-18	32,5	10	15,0	6,0	19	1052810-04-04	5,37
400	3/8"-19	3/8"-18	38,0	12	15,3	9,0	22	1052810-06-06	6,75
400	1/2"-14	1/2"-14	43,0	14	20,0	12,5	27	1052810-08-08	9,20
400	3/4"-14	3/4"-14	47,0	16	20,0	17,5	32	1052810-12-12	12,50
400	1"-11	1"-11,5	54,5	18	25,0	22,5	41	1052810-16-16	20,00
200	1 1/4"-11	1 1/4"-11,5	66,0	20	25,5	30,0	50	1052810-20-20	32,90
200	1 1/2"-11	1 1/2"-11,5	64,0	22	26,0	37,0	55	1052810-24-24	55,50
100	2"-11	2"-11,5	66,0	22	26,0	45,0	70	1052810-32-32	99,00

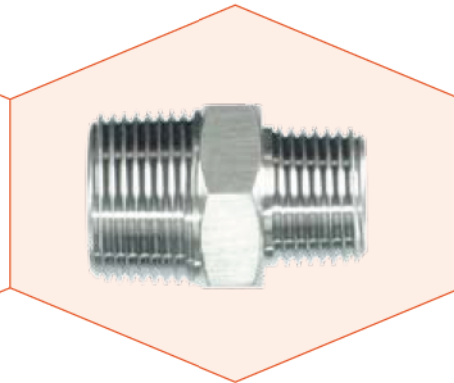
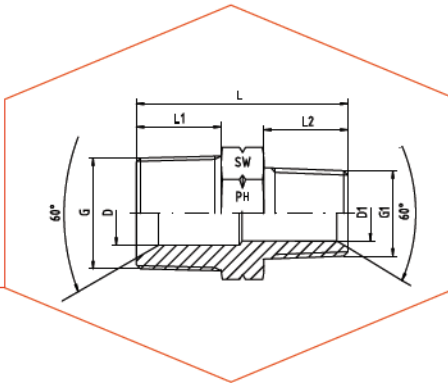
Druck Pressure PN	Gewinde Thread		Ca. Maße Approx. Dimensions					Bestellzeichen Order-Code BSP x NPT	Brutto-Preis Gross-Price Euro (€)
	G = BSP	G1 = NPT	L	L1	L2	D	SW		
400	1/8"-28	1/4"-18	30,0	8	15,0	4,0	14	1052810-02-04	10,40
400	1/4"-19	1/8"-27	27,5	10	10,0	4,0	19	1052810-04-02	10,40
400	1/4"-19	3/8"-18	33,0	10	15,3	6,0	19	1052810-04-06	8,70
400	1/4"-19	1/2"-14	40,0	10	20,0	6,0	22	1052810-04-08	11,90
400	3/8"-19	1/4"-18	35,5	12	15,0	7,0	22	1052810-06-04	8,70
400	3/8"-19	1/2"-14	42,0	12	20,0	9,0	22	1052810-06-08	10,50
400	3/8"-19	3/4"-14	42,0	12	20,0	9,0	27	1052810-06-12	18,75
400	1/2"-14	1/4"-18	40,0	14	15,0	7,0	27	1052810-08-04	13,95
400	1/2"-14	3/8"-18	40,0	14	15,3	9,0	27	1052810-08-06	11,40
400	1/2"-14	3/4"-14	45,0	14	20,0	12,0	27	1052810-08-12	18,50
400	3/4"-14	1/2"-14	45,0	16	20,0	12,5	32	1052810-12-08	19,40
400	3/4"-14	1"-11,5	52,0	16	25,0	17,5	36	1052810-12-16	23,95
400	1"-11	1/2"-14	50,0	18	20,0	12,5	41	1052810-16-08	23,95
400	1"-11	3/4"-14	50,0	18	20,0	15,0	41	1052810-16-12	23,95



NPT - Männlich mit 60°-Konus

NPT - Male with 60°-Cone

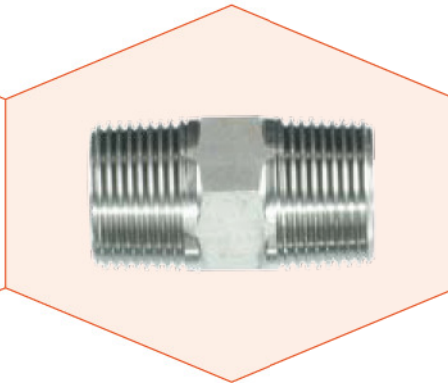
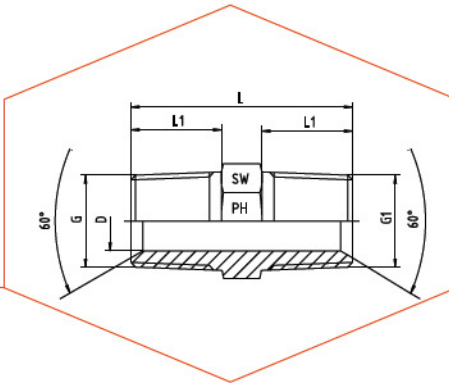
Druck Pressure PN	Gewinde Thread		Ca. Maße Approx. Dimensions				Bestellzeichen Order-Code	Brutto-Preis Gross-Price Euro (€)
	G = NPT	G1 = NPT	L	L1	D	SW		
630	1/8"-27	1/8"-27	27,0	10,0	5,0	12	1282810-02-02	7,50
630	1/4"-18	1/4"-18	36,5	15,0	7,0	14	1282810-04-04	6,40
630	3/8"-18	3/8"-18	36,5	15,3	9,0	19	1282810-06-06	7,10
630	1/2"-14	1/2"-14	48,4	20,0	13,5	22	1282810-08-08	8,65
630	3/4"-14	3/4"-14	50,0	20,0	18,0	27	1282810-12-12	13,25
400	1"-11,5	1"-11,5	59,0	25,0	21,0	36	1282810-16-16	18,10
400	1 1/4"-11,5	1 1/4"-11,5	63,0	25,5	31,5	46	1282810-20-20	39,90
400	1 1/2"-11,5	1 1/2"-11,5	65,0	26,0	36,0	50	1282810-24-24	55,00
315	2"-11,5	2"-11,5	68,0	26,0	46,0	65	1282810-32-32	85,00



NPT - Männlich mit 60°-Konus

NPT - Male with 60°-Cone

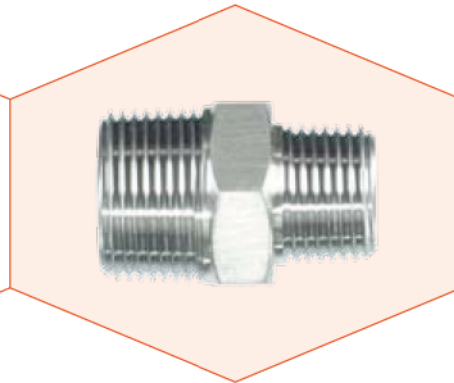
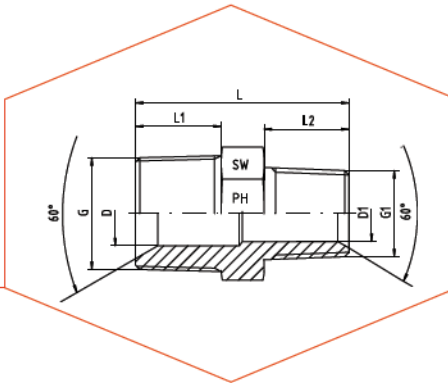
Druck Pressure PN	Gewinde Thread		Ca. Maße Approx. Dimensions						Bestellzeichen Order-Code	Brutto-Preis Gross-Price Euro (€)
	G = NPT	G1 = NPT	L	L1	L2	D	D1	SW		
630	1/4"-18	1/8"-27	32,0	15,0	10,0	7,0	5,0	14	1282810-04-02	12,00
630	3/8"-18	1/4"-18	36,5	15,3	15,0	7,0	7,0	19	1282810-06-04	12,00
630	1/2"-14	1/4"-18	43,0	20,0	15,0	7,0	7,0	22	1282810-08-04	13,95
630	1/2"-14	3/8"-18	43,7	20,0	15,3	13,5	8,0	22	1282810-08-06	13,00
630	3/4"-14	1/2"-14	50,0	20,0	20,0	18,0	13,5	27	1282810-12-08	18,90
400	1"-11,5	1/2"-14	54,0	25,0	20,0	21,0	13,5	36	1282810-16-08	31,95
400	1"-11,5	3/4"-14	54,2	25,0	20,0	21,0	18,0	36	1282810-16-12	29,00



BSP - Kegelig  
BSP - Kegelig

BSP - Taper  
BSP - Taper

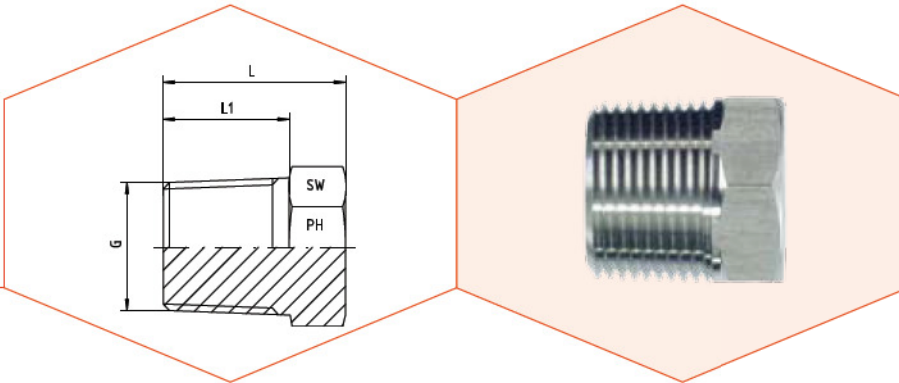
Druck Pressure PN	Gewinde Thread		Ca. Maße Approx. Dimensions				Bestellzeichen Order-Code	Brutto-Preis Gross-Price Euro (€)
	G = BSPT	G1 = BSPT	L	L1	D	SW		
400	1/8"-28	1/8"-28	22,0	8	4,0	12	1070710-02-02	7,50
400	1/4"-19	1/4"-19	30,0	12	5,0	14	1070710-04-04	6,30
400	3/8"-19	3/8"-19	31,0	12	8,0	19	1070710-06-06	6,85
400	1/2"-14	1/2"-14	38,0	14	13,5	22	1070710-08-08	8,80
400	3/4"-14	3/4"-14	43,0	16	18,0	27	1070710-12-12	13,65
400	1"-11	1"-11	47,0	18	22,5	36	1070710-16-16	18,75
200	1 1/4"-11	1 1/4"-11	52,0	20	29,0	46	1070710-20-20	39,90
200	1 1/2"-11	1 1/2"-11	58,0	22	33,5	50	1070710-24-24	55,00
100	2"-11	2"-11	68,0	26	46,0	65	1070710-32-32	85,00



BSP - Kegelig  
BSP - Kegelig

BSP - Taper  
BSP - Taper

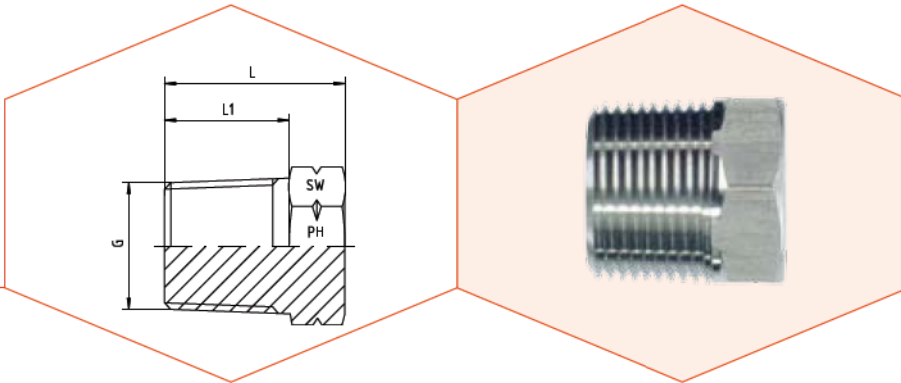
Druck Pressure PN	Gewinde Thread		Ca. Maße Approx. Dimensions						Bestellzeichen Order-Code	Brutto-Preis Gross-Price Euro (€)
	G = BSPT	G1 = BSPT	L	L1	L2	D	D1	SW		
400	1/4"-19	1/8"-28	26,0	12	8	5,0	5,0	14	1070710-04-02	12,00
400	3/8"-19	1/4"-19	31,0	12	12	8,0	8,0	19	1070710-06-04	10,90
400	1/2"-14	3/8"-19	34,0	14	12	11,5	8,0	22	1070710-08-06	11,50
400	3/4"-14	1/2"-14	39,0	16	14	18,0	13,5	27	1070710-12-08	18,90
400	1"-11	3/4"-14	45,0	18	19	22,5	17,0	36	1070710-16-12	29,00
200	1 1/4"-11	1"-11	50,0	20	18	29,0	22,5	46	1070710-20-16	45,00
200	1 1/2"-11	1 1/4"-11	56,0	22	20	33,5	29,0	50	1070710-24-20	63,90



BSP - Kegelig

BSP - Taper

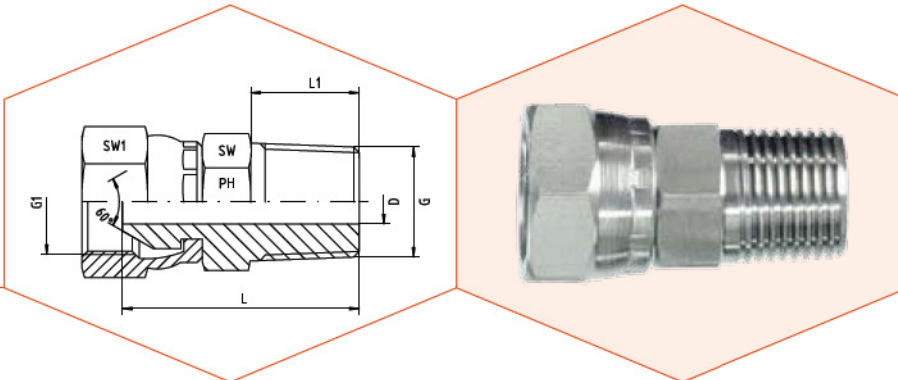
Druck Pressure PN	Gewinde Thread G = BSPT	Ca. Maße Approx. Dimensions			Bestellzeichen Order-Code	Brutto-Preis Gross-Price Euro (€)
		L	L1	SW		
400	1/8"-28	14	8	12	5070010-02	4,50
400	1/4"-19	18	12	14	5070010-04	4,60
400	3/8"-19	19	12	17	5070010-06	5,30
400	1/2"-14	27	19	22	5070010-08	6,50
400	3/4"-14	29	19	27	5070010-12	8,75
400	1"-11	29	18	36	5070010-16	13,75
200	1 1/4"-11	32	20	46	5070010-20	21,25
200	1 1/2"-11	36	22	50	5070010-24	27,50
100	2"-11	40	26	65	5070010-32	56,50



NPT - Männlich

NPT - Male

Druck Pressure PN	Gewinde Thread G = NPT	Ca. Maße Approx. Dimensions			Bestellzeichen Order-Code	Brutto-Preis Gross-Price Euro (€)
		L	L1	SW		
630	1/8"-27	15	10,0	12	5280010-02	4,50
630	1/4"-18	20	15,0	14	5280010-04	4,60
630	3/8"-18	22	15,3	17	5280010-06	5,30
630	1/2"-14	27	20,0	22	5280010-08	6,50
630	3/4"-14	29	20,0	27	5280010-12	8,75
400	1"-11,5	33	25,0	36	5280010-16	13,75
400	1 1/4"-11,5	33	25,5	46	5280010-20	21,25
400	1 1/2"-11,5	41	26,0	50	5280010-24	27,50
315	2"-11,5	44	26,0	65	5280010-32	56,50

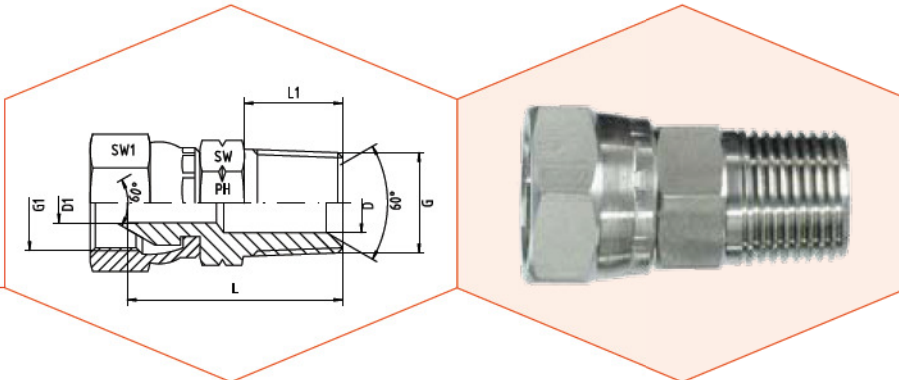


BSP - Weiblich mit drehbarer Mutter für 60°-Gegenanschluss  
BSP - Kegelig - Männlich

BSP - Female with Swivel Nut for 60°-Connection  
BSP - Taper - Male

Druck Pressure PN	Gewinde Thread		Ca. Maße Approx. Dimensions					Bestellzeichen Order-Code	Brutto-Preis Gross-Price Euro (€)
	G1 = BSP	G = BSPT	L	L1	D	SW	SW1		
400	1/8"-28	1/8"-28	23,0	8	4,0	12	14	2070511-02-02	15,80
400	1/4"-19	1/4"-19	28,0	12	5,0	14	19	2070511-04-04	15,80
400	3/8"-19	3/8"-19	30,6	12	8,0	19	22	2070511-06-06	18,30
400	1/2"-14	1/2"-14	37,0	14	9,5	24	27	2070511-08-08	22,55
400	3/4"-14	3/4"-14	39,0	16	16,5	27	32	2070511-12-12	26,90
400	1"-11	1"-11	44,3	18	22,5	36	41	2070511-16-16	35,30
200	1 1/4"-11	1 1/4"-11	51,9	20	29,0	46	50	2070511-20-20	70,55
200	1 1/2"-11	1 1/2"-11	54,6	22	33,5	50	55	2070511-24-24	95,95
100	2"-11	2"-11	69,0	26	42,0	65	70	2070511-32-32	130,55

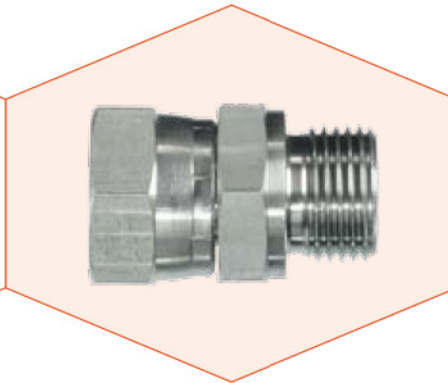
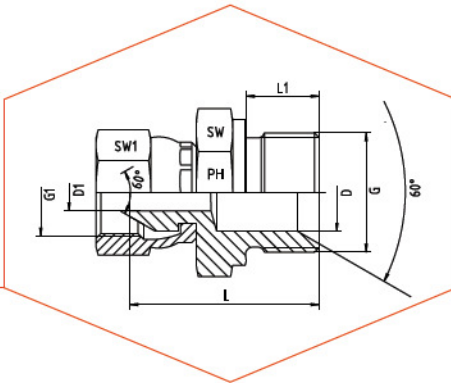




BSP - Weiblich mit drehbarer Mutter für 60°-Gegenanschluss  
NPT - Männlich

BSP - Female with Swivel Nut for 60°-Connection  
NPT - Male

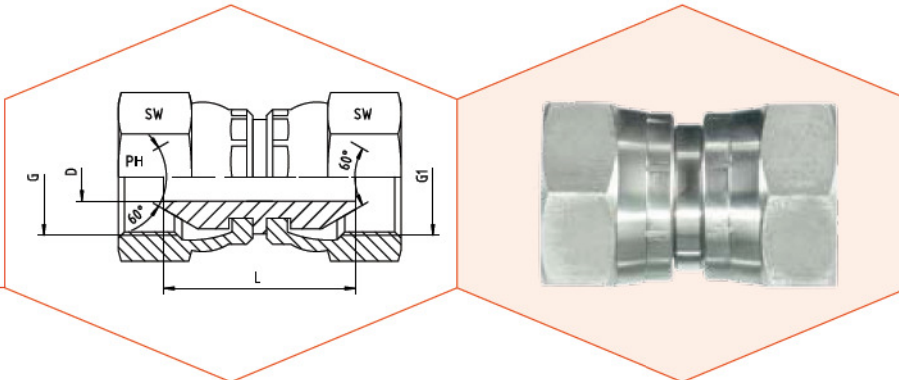
Druck Pressure PN	Gewinde Thread		Ca. Maße Approx. Dimensions							Bestellzeichen Order-Code BSP x NPT	Brutto-Preis Gross-Price Euro (€)
	G1 = BSP	G = NPT	L	L1	D	D1	SW	SW1			
400	1/8"-28	1/8"-27	25,0	10,0	4,0	4,0	12	14	2280511-02-02	14,80	
400	1/4"-19	1/4"-18	32,0	15,0	7,0	5,0	14	19	2280511-04-04	14,80	
400	1/4"-19	3/8"-18	32,0	15,3	10,3	5,0	19	19	2280511-04-06	18,00	
400	3/8"-19	1/4"-18	33,6	15,0	7,0	7,0	17	22	2280511-06-04	18,00	
400	3/8"-19	3/8"-18	33,0	15,3	10,0	8,0	19	22	2280511-06-06	17,00	
400	3/8"-19	1/2"-14	40,8	20,0	13,5	8,0	22	22	2280511-06-08	21,80	
400	1/2"-14	3/8"-18	34,8	15,3	10,3	9,5	19	27	2280511-08-06	21,80	
400	1/2"-14	1/2"-14	42,0	20,0	13,5	9,5	22	27	2280511-08-08	19,95	
400	1/2"-14	3/4"-14	41,0	20,0	16,5	9,5	27	27	2280511-08-12	26,50	
400	3/4"-14	1/2"-14	43,0	20,0	13,5	16,5	27	32	2280511-12-08	26,50	
400	3/4"-14	3/4"-14	43,0	20,0	16,5	16,5	27	32	2280511-12-12	25,00	
400	3/4"-14	1"-11,5	48,5	25,0	24,0	16,5	36	32	2280511-12-16	38,50	
400	1"-11	1"-11	49,5	25,0	24,0	21,0	36	41	2280511-16-16	33,90	
200	1 1/4"-11	1 1/4"-11,5	53,0	25,5	28,0	28,0	46	50	2280511-20-20	68,50	
200	1 1/2"-11	1 1/2"-11,5	57,0	26,0	32,5	32,5	50	55	2280511-24-24	90,45	
100	2"-11	2"-11,5		26,0			65	70	2280511-32-32	145,00	



BSP - Weiblich mit drehbarer Mutter  
BSP - Männlich mit 60°-Konus und angedrehter Dichtkante Form B

BSP - Female with Swivel Nut  
BSP - Male with 60°-Cone and Sealing Shoulder Form B

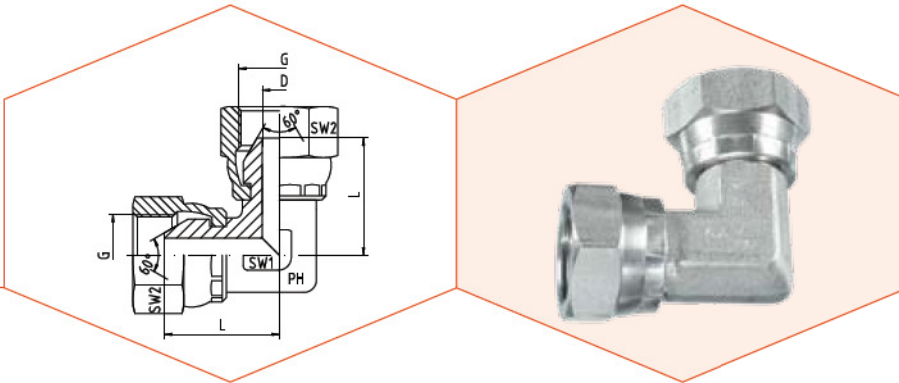
Druck Pressure PN	Gewinde Thread		Ca. Maße Approx. Dimensions						Bestellzeichen Order-Code G1 x G	Brutto-Preis Gross-Price Euro (€)
	G1	G	L	L1	D	D1	SW	SW1		
400	1/8"-28	1/8"-28	23,5	8	4,0	4,0	14	14	2050511-02-02	10,95
400	1/8"-28	1/4"-19	27,5	12	4,0	4,0	19	14	2050511-02-04	12,95
400	1/4"-19	1/8"-28	27,0	8	4,0	4,0	14	19	2050511-04-02	9,75
400	1/4"-19	1/4"-19	30,0	12	5,0	5,0	19	19	2050511-04-04	9,75
400	1/4"-19	3/8"-19	31,5	12	9,0	5,0	22	19	2050511-04-06	13,95
400	1/4"-19	1/2"-14	35,5	14	11,5	5,0	27	19	2050511-04-08	23,95
400	3/8"-19	1/8"-28	26,0	8	4,5	4,5	17	19	2050511-06-02	12,95
400	3/8"-19	1/4"-19	31,5	12	5,0	8,0	19	22	2050511-06-04	12,70
400	3/8"-19	3/8"-19	32,5	12	8,0	8,0	22	22	2050511-06-06	11,90
400	3/8"-19	1/2"-14	37,0	14	11,5	8,0	27	22	2050511-06-08	18,75
400	1/2"-14	1/4"-19	31,5	12	5,0	11,0	19	27	2050511-08-04	23,95
400	1/2"-14	3/8"-19	32,5	12	9,0	9,0	22	27	2050511-08-06	15,30
400	1/2"-14	1/2"-14	36,0	14	11,0	11,0	27	27	2050511-08-08	15,40
400	1/2"-14	3/4"-14	39,5	16	11,0	11,0	32	27	2050511-08-12	27,50
400	3/4"-14	1/2"-14	42,0	14	11,5	16,0	27	32	2050511-12-08	22,70
400	3/4"-14	3/4"-14	41,0	16	16,5	16,5	32	32	2050511-12-12	19,50
400	3/4"-14	1"-11	45,0	18	22,5	16,5	41	32	2050511-12-16	41,60
400	1"-11	3/4"-14	44,0	18	17,0	22,0	32	41	2050511-16-12	38,00
400	1"-11	1"-11	45,5	18	22,0	22,0	41	41	2050511-16-16	35,75
200	1"-11	1 1/4"-11	49,5	20	29,0	22,5	50	41	2050511-16-20	78,00
200	1 1/4"-11	1"-11	53,0	18	22,0	22,0	41	50	2050511-20-16	59,90
200	1 1/4"-11	1 1/4"-11	48,5	20	28,0	28,0	50	50	2050511-20-20	59,25
200	1 1/2"-11	1 1/2"-11	53,0	22	33,0	33,0	55	55	2050511-24-24	73,50
100	2"-11	2"-11	72,0	23	42,0	42,0	70	70	2050511-32-32	145,00



Weiblich - BSP - BSP mit drehbarer Mutter an beiden Seiten

Female - BSP - BSP with Swivel Nut at both sides

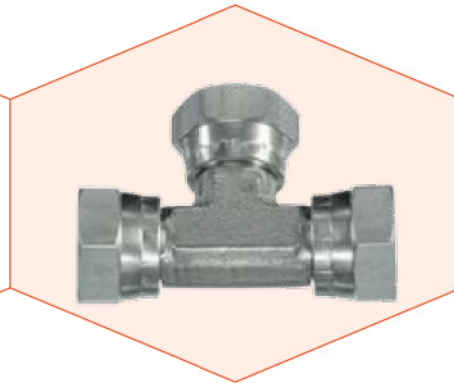
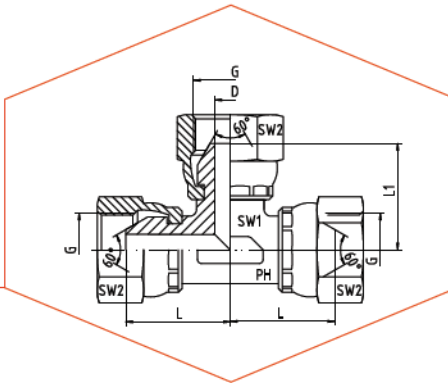
Druck Pressure PN	Gewinde Thread		Ca. Maße Approx. Dimensions			Bestellzeichen Order-Code	Brutto-Preis Gross-Price Euro (€)
	G	G1	L	D	SW		
400	1/8"-28	1/8"-28	21	4,0	14	3050511-02-02	15,45
400	1/4"-19	1/4"-19	26	5,0	19	3050511-04-04	13,95
400	3/8"-19	3/8"-19	30	8,0	22	3050511-06-06	16,15
400	1/2"-14	1/2"-14	29	11,0	27	3050511-08-08	17,15
400	3/4"-14	3/4"-14	34	16,5	32	3050511-12-12	24,85
400	1"-11	1"-11	36	22,0	41	3050511-16-16	40,85
200	1 1/4"-11	1 1/4"-11	38	28,0	50	3050511-20-20	78,75
200	1 1/2"-11	1 1/2"-11	51	34,0	55	3050511-24-24	113,60
100	2"-11	2"-11	66	42,0	70	3050511-32-32	189,50



Weiblich - BSP - BSP mit drehbarer Mutter an beiden Seiten

Female - BSP - BSP with Swivel Nut at both sides

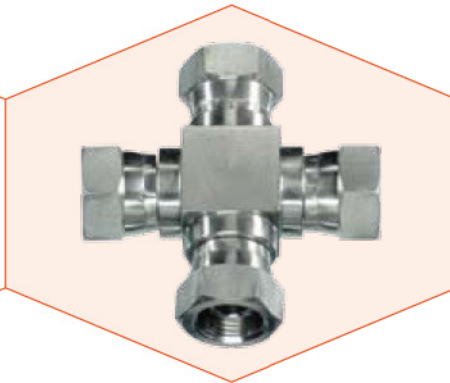
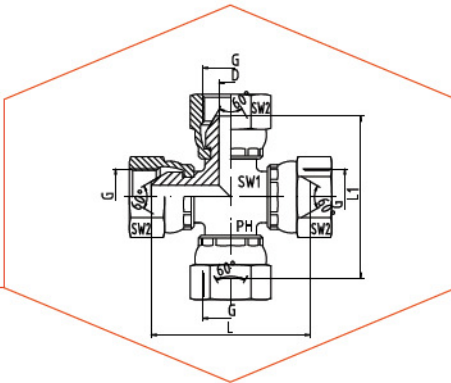
Druck Pressure PN	Gewinde Thread G	Ca. Maße Approx. Dimensions				Bestellzeichen Order-Code	Brutto-Preis Gross-Price Euro (€)
		L	D	SW1	SW2		
400	1/8"-28	18,0	4,0	12	14	4050511-02	32,90
400	1/4"-19	23,5	6,0	14	19	4050511-04	30,10
400	3/8"-19	25,5	8,0	17	22	4050511-06	28,90
400	1/2"-14	29,5	11,0	19	27	4050511-08	39,50
400	3/4"-14	37,0	16,0	27	32	4050511-12	53,30
400	1"-11	43,0	22,0	36	41	4050511-16	80,20
200	1 1/4"-11	51,0	28,0	41	50	4050511-20	155,00
200	1 1/2"-11	50,0	33,5	50	55	4050511-24	225,00
100	2"-11				70	4050511-32	414,00



Weiblich - BSP - BSP - BSP mit drehbarer Mutter an allen Seiten

Female - BSP - BSP - BSP with Swivel Nut at both sides

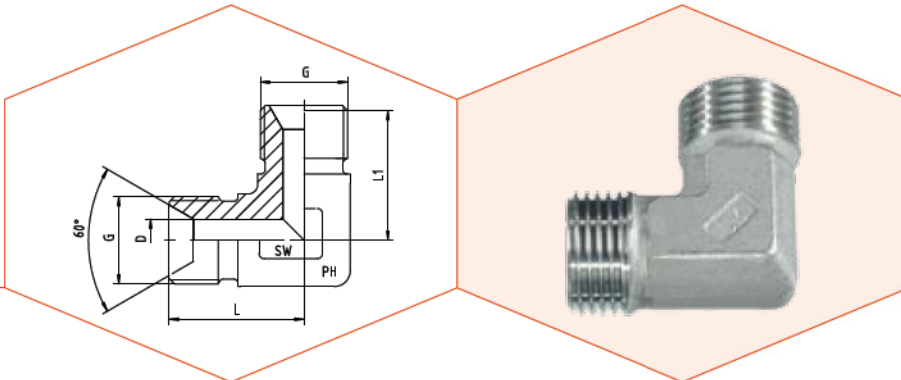
Druck Pressure PN	Gewinde Thread G	Ca. Maße Approx. Dimensions					Bestellzeichen Order-Code	Brutto-Preis Gross-Price Euro (€)
		L	L1	D	SW1	SW2		
400	1/8"-28	18,0	18,0	4,0	12	14	4150511-02	49,50
400	1/4"-19	23,5	23,5	6,0	14	19	4150511-04	38,75
400	3/8"-19	25,5	25,5	8,0	17	22	4150511-06	41,47
400	1/2"-14	29,5	29,5	11,0	19	27	4150511-08	52,90
400	3/4"-14	37,0	37,0	16,0	27	32	4150511-12	78,75
400	1"-11	43,0	43,0	22,0	36	41	4150511-16	101,25
200	1 1/4"-11	51,0	51,0	28,0	41	50	4150511-20	170,20
200	1 1/2"-11	50,0	50,0	33,5	50	55	4150511-24	218,10
	2"-11					70	4150511-32	815,00



Weiblich - BSP - Alle Seiten mit drehbarer Mutter

Female - BSP - All sides with Swivel Nut

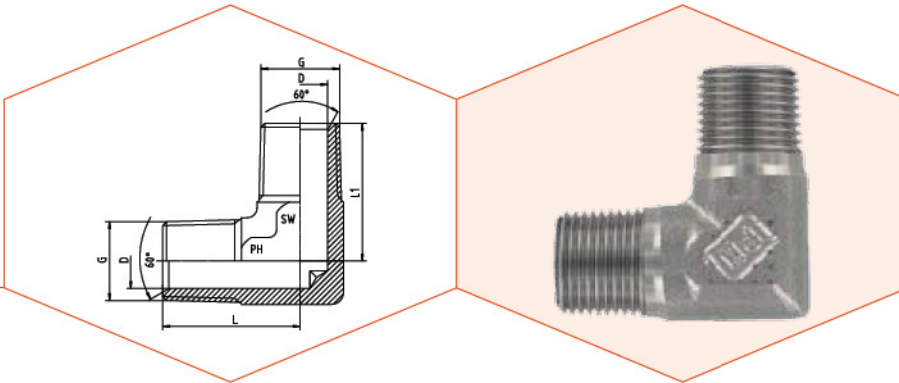
Druck Pressure PN	Gewinde Thread G	Ca. Maße Approx. Dimensions					Bestellzeichen Order-Code	Brutto-Preis Gross-Price Euro (€)
		L	L1	D	SW1	SW2		
400	1/8"-28						4250511-02	149,50
400	1/4"-19					19	4250511-04	141,82
400	3/8"-19					22	4250511-06	149,88
400	1/2"-14					27	4250511-08	149,95
400	3/4"-14					32	4250511-12	204,55
400	1"-11					41	4250511-16	302,25
200	1 1/4"-11					50	4250511-20	*
200	1 1/2"-11					55	4250511-24	*
	2"-11					70	4250511-32	*



Männlich - BSP - BSP mit 60°-Konus

Male - BSP - BSP with 60°-Cone

Druck Pressure PN	Gewinde Thread G	Ca. Maße Approx. Dimensions				Bestellzeichen Order-Code	Brutto-Preis Gross-Price Euro (€)
		L	L1	D	SW		
400	1/8"-28	20,0	20,0	4,0	12	1350510-02	10,00
400	1/4"-19	24,5	24,5	6,0	14	1350510-04	11,00
400	3/8"-19	25,5	25,5	8,0	17	1350510-06	15,50
400	1/2"-14	29,5	29,5	11,0	19	1350510-08	19,50
400	3/4"-14	37,0	37,0	16,0	27	1350510-12	37,50
400	1"-11	43,0	43,0	22,0	36	1350510-16	44,90
200	1 1/4"-11	51,0	51,0	28,5	41	1350510-20	78,90
200	1 1/2"-11	59,0	59,0	33,5	50	1350510-24	150,00
100	2"-11					1350510-32	290,00

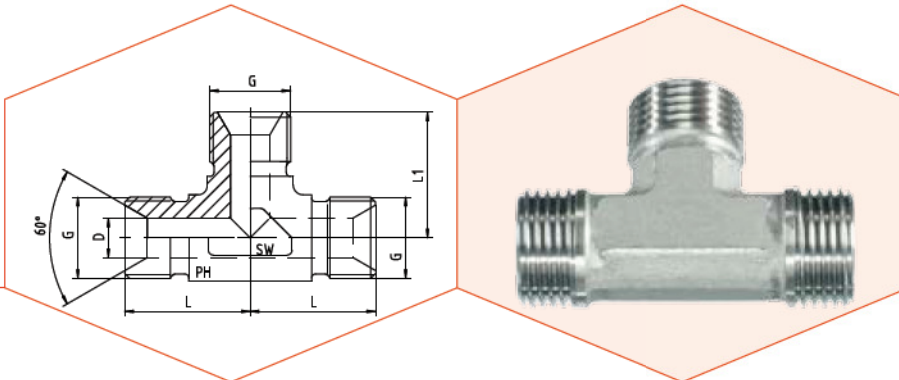


Männlich - NPT - NPT mit 60°-Konus

Male - NPT - NPT with 60°-Cone

Druck Pressure PN	Gewinde Thread G = NPT	Ca. Maße Approx. Dimensions				Bestellzeichen Order-Code	Brutto-Preis Gross-Price Euro (€)
		L	L1	D	SW		
420	1/8"-27	20,0	20,0	5,0	12	1350511-02	10,00
420	1/4"-18	28,0	28,0	7,0	14	1350511-04	12,25
420	3/8"-18	31,0	31,0	10,0	19	1350511-06	16,25
420	1/2"-14	35,0	35,0	14,0	24	1350511-08	23,75
420	3/4"-14	40,0	40,0	18,0	33	1350511-12	45,00
420	1"-11,5	50,0	50,0	24,0	41	1350511-16	80,00
315	1 1/4"-11,5					1350511-20	*
315	1 1/2"-11,5					1350511-24	*

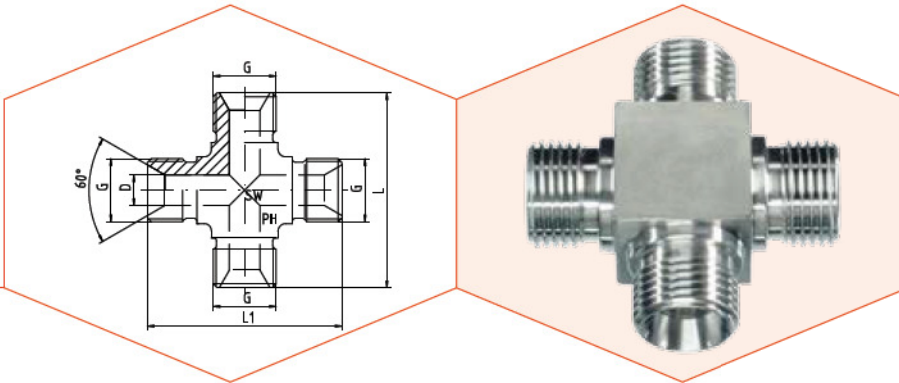




Männlich - BSP - BSP - BSP mit 60°-Konus

Male - BSP - BSP - BSP with 60°-Cone

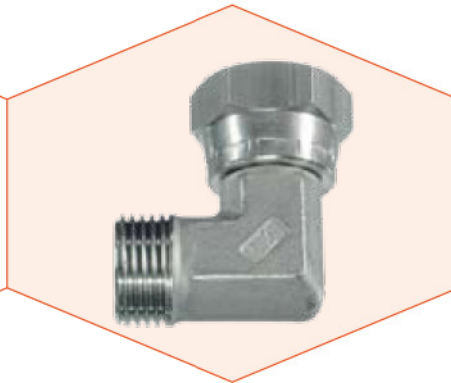
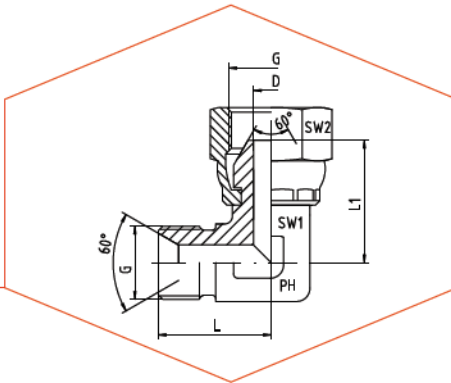
Druck Pressure PN	Gewinde Thread G	Ca. Maße Approx. Dimensions				Bestellzeichen Order-Code	Brutto-Preis Gross-Price Euro (€)
		L	L1	D	SW		
400	1/8"-28	20,0	20,0	4,0	12	1450510-02	18,30
400	1/4"-19	24,5	24,5	6,0	14	1450510-04	18,50
400	3/8"-19	25,5	25,5	8,0	17	1450510-06	21,50
400	1/2"-14	29,5	29,5	11,0	19	1450510-08	22,00
400	3/4"-14	37,0	37,0	16,0	27	1450510-12	38,60
400	1"-11	43,0	43,0	22,0	36	1450510-16	53,60
200	1 1/4"-11	51,0	51,0	28,5	41	1450510-20	92,40
200	1 1/2"-11	59,0	59,0	33,5	50	1450510-24	159,20
100	2"-11					1450510-32	357,50



Männlich - BSP - Alle Seiten mit 60°-Konus

Male - BSP - All sides with 60°-Cone

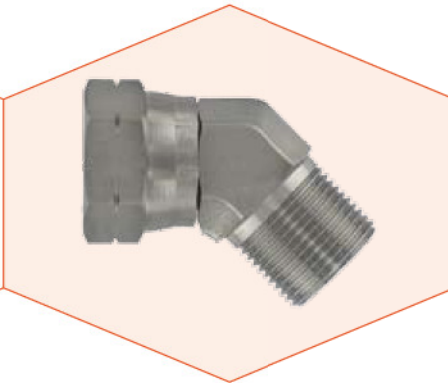
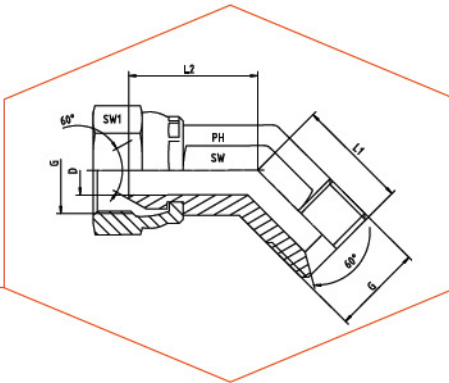
Druck Pressure PN	Gewinde Thread G	Ca. Maße Approx. Dimensions				Bestellzeichen Order-Code	Brutto-Preis Gross-Price Euro (€)
		L	L1	D	SW		
400	1/8"-28					1550510-02	114,30
400	1/4"-19					1550510-04	114,30
400	3/8"-19					1550510-06	117,32
400	1/2"-14					1550510-08	125,70
400	3/4"-14					1550510-12	172,90
400	1"-11					1550510-16	262,05
200	1 1/4"-11					1550510-20	367,50
200	1 1/2"-11					1550510-24	400,10
	2"-11					1550510-32	*



Männlich - Starr mit 60°-Konus  
Weiblich - Mit drehbarer Mutter

Male - Fixed with 60°-Cone  
Female - With Swivel Nut

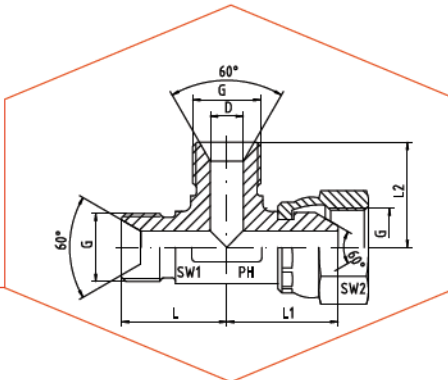
Druck Pressure PN	Gewinde Thread G	Ca. Maße Approx. Dimensions						Bestellzeichen Order-Code	Brutto-Preis Gross-Price Euro (€)
		L	L1	D	SW1	SW2			
400	1/8"-28	20,0	18,0	4,0	12	14	1560510-02	19,35	
400	1/4"-19	24,5	23,5	6,0	14	19	1560510-04	20,60	
400	3/8"-19	25,5	25,5	8,0	17	22	1560510-06	23,30	
400	1/2"-14	29,5	29,5	11,0	19	27	1560510-08	27,60	
400	3/4"-14	37,0	37,0	16,0	27	32	1560510-12	48,55	
400	1"-11	43,0	43,0	22,0	36	41	1560510-16	59,20	
200	1 1/4"-11	51,0	51,0	28,0	41	50	1560510-20	74,55	
200	1 1/2"-11	59,0	50,0	33,5	50	55	1560510-24	155,00	
100	2"-11						1560510-32	345,00	



Männlich - Starr mit 60°-Konus  
Weiblich - Mit drehbarer Mutter

Male - Fixed with 60°-Cone  
Female - With Swivel Nut

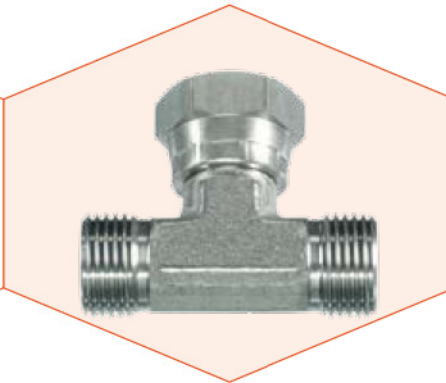
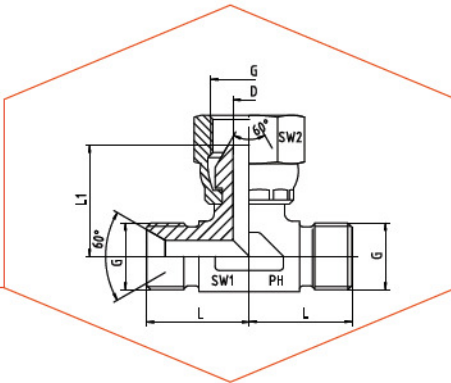
Druck Pressure PN	Gewinde Thread G	Ca. Maße Approx. Dimensions					Bestellzeichen Order-Code	Brutto-Preis Gross-Price Euro (€)
		L1	L2	D	SW	SW1		
400	1/8"-28	14,0	15,0	3,5	12	14	1545510-02	25,15
400	1/4"-19	21,0	19,0	5,0	14	19	1545510-04	26,80
400	3/8"-19	21,5	20,5	8,0	16	22	1545510-06	30,30
400	1/2"-14	23,5	22,5	11,0	22	27	1545510-08	35,90
400	3/4"-14	31,0	25,0	17,0	27	32	1545510-12	63,10
400	1"-11	36,5	27,0	22,0	33	41	1545510-16	76,95
200	1 1/4"-11						1545510-20	320,00
200	1 1/2"-11						1545510-24	436,00
100	2"-11						1545510-32	614,00



Männlich - Starr - BSP mit 60°-Konus  
Weiblich - Drehbar - BSP

Male - Fixed - BSP with 60°-Cone  
Female - Swivel - BSP

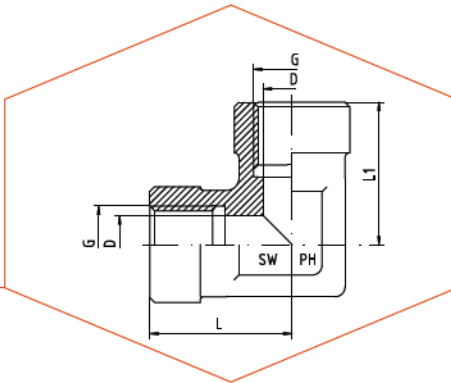
Druck Pressure PN	Gewinde Thread G	Ca. Maße Approx. Dimensions							Bestellzeichen Order-Code	Brutto-Preis Gross-Price Euro (€)
		L	L1	L2	D	SW1	SW2			
400	1/8"-28	20,0	18,0	20,0	4,0	12	14	1570510-02	37,50	
400	1/4"-19	24,5	24,5	24,5	6,0	14	19	1570510-04	29,95	
400	3/8"-19	25,5	25,5	25,5	8,0	17	22	1570510-06	32,30	
400	1/2"-14	29,5	29,5	29,5	11,0	19	27	1570510-08	39,00	
400	3/4"-14	37,0	37,0	37,0	16,0	27	32	1570510-12	59,80	
400	1"-11	43,0	43,0	43,0	22,0	36	41	1570510-16	85,00	
200	1 1/4"-11	51,0	51,0	51,0	28,0	41	50	1570510-20	110,90	
200	1 1/2"-11	59,0	50,0	59,0	33,5	50	55	1570510-24	155,00	
	2"-11							1570510-32	750,00	



Männlich - Starr - BSP mit 60°-Konus  
Weiblich - Drehbar - BSP

Male - Fixed - BSP with 60°-Cone  
Female - Swivel - BSP

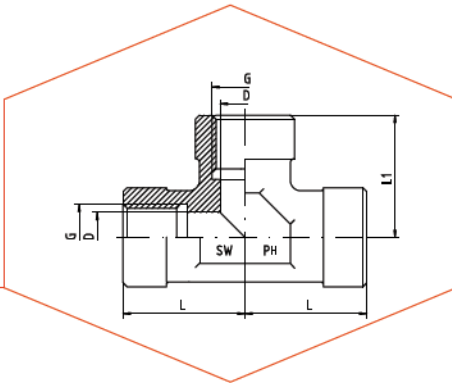
Druck Pressure PN	Gewinde Thread G	Ca. Maße Approx. Dimensions						Bestellzeichen Order-Code	Brutto-Preis Gross-Price Euro (€)
		L	L1	D	SW1	SW2			
400	1/8"-28	20,0	18,0	4,0	12	14	1580510-02	37,50	
400	1/4"-19	24,5	23,5	6,0	14	19	1580510-04	29,95	
400	3/8"-19	25,5	25,5	8,0	17	22	1580510-06	32,30	
400	1/2"-14	29,5	29,5	11,0	19	27	1580510-08	39,00	
400	3/4"-14	37,0	37,0	16,0	27	32	1580510-12	59,80	
400	1"-11	43,0	43,0	22,0	36	41	1580510-16	85,00	
200	1 1/4"-11	51,0	51,0	28,0	41	50	1580510-20	110,90	
200	1 1/2"-11	59,0	50,0	33,5	50	55	1580510-24	155,00	
	2"-11						1580510-32	750,00	



Weiblich - BSP - Zylindrisch - BSP - Zylindrisch

Female - BSP - Parallel - BSP - Parallel

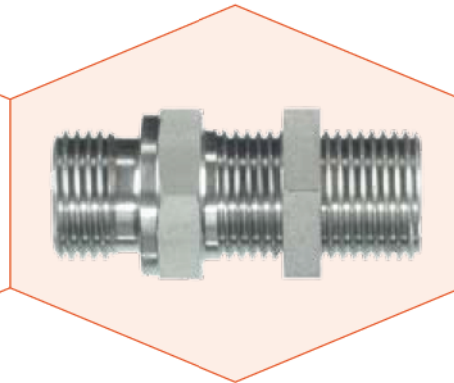
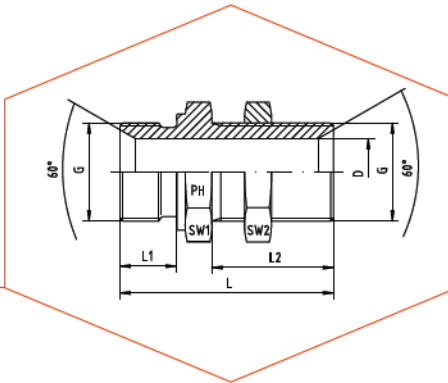
Druck Pressure PN	Gewinde Thread G	Ca. Maße Approx. Dimensions				Bestellzeichen Order-Code	Brutto-Preis Gross-Price Euro (€)
		L	L1	D	SW		
400	1/8"-28	20,0	20,0	8,6	17	1350520-02	21,00
400	1/4"-19	22,5	22,5	11,8	19	1350520-04	21,00
400	3/8"-19	26,2	26,2	15,2	24	1350520-06	27,40
400	1/2"-14	31,5	31,5	19,0	27	1350520-08	34,90
400	3/4"-14	33,5	33,5	24,6	36	1350520-12	39,70
400	1"-11	43,0	43,0	30,7	41	1350520-16	47,50
200	1 1/4"-11	51,0	51,0	39,3	50	1350520-20	127,80
	1 1/2"-11					1350520-24	398,00
	2"-11					1350520-32	459,00



Weiblich - BSP - Zylindrisch - BSP - Zylindrisch - BSP - Zylindrisch  
Female - BSP - Parallel - BSP - Parallel - BSP - Parallel - Fixed

Druck Pressure PN	Gewinde Thread G	Ca. Maße Approx. Dimensions				Bestellzeichen Order-Code	Brutto-Preis Gross-Price Euro (€)
		L	L1	D	SW		
400	1/8"-28	20,0	20,0	8,6	17	1450520-02	30,80
400	1/4"-19	22,5	22,5	11,8	19	1450520-04	30,80
400	3/8"-19	26,2	26,2	15,2	24	1450520-06	37,40
400	1/2"-14	31,5	31,5	19,0	27	1450520-08	51,70
400	3/4"-14	33,5	33,5	24,6	36	1450520-12	65,20
400	1"-11	43,0	43,0	30,7	41	1450520-16	75,30
200	1 1/4"-11	51,0	51,0	39,3	50	1450520-20	178,00
	1 1/2"-11					1450520-24	622,00
	2"-11					1450520-32	649,00

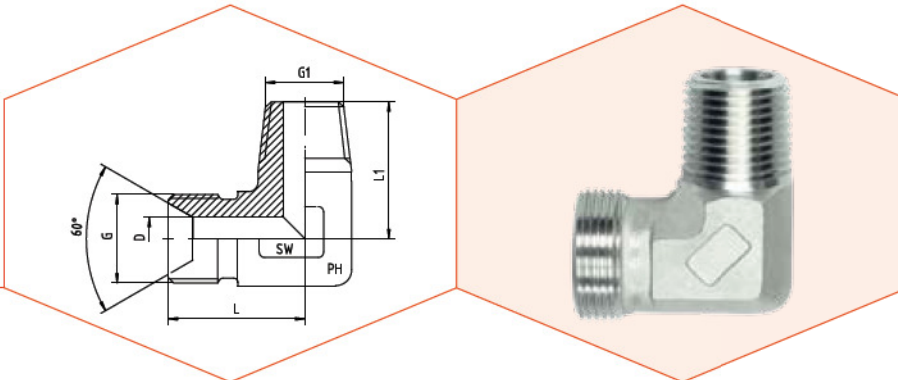




**BSP - BSP**  
Schottausführung mit Kontermutter und 60°-Konus

**BSP - Male - BSP - Male**  
Both sides with 60°-Cone and Back Nut

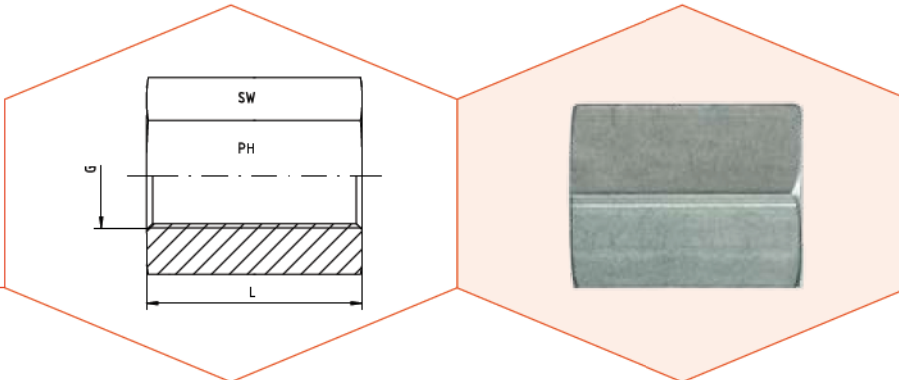
Druck Pressure PN	Gewinde Thread G	Ca. Maße Approx. Dimensions							Bestellzeichen Order-Code	Brutto-Preis Gross-Price Euro (€)
		L	L1	L2	D	SW1	SW2			
400	1/8"-28	42,5	8	28	4,5	14	14	1050511-02	14,95	
400	1/4"-19	46,0	11	28	6,0	19	19	1050511-04	12,85	
400	3/8"-19	52,0	12	32	8,0	22	22	1050511-06	14,55	
400	1/2"-14	59,0	14	35	11,0	27	27	1050511-08	17,20	
400	5/8"-14	63,0	16	35	14,5	30	30	1050511-10	*	
400	3/4"-14	66,0	16	38	16,5	32	32	1050511-12	27,75	
400	1"-11	72,0	19	41	22,5	41	41	1050511-16	39,90	
200	1 1/4"-11	78,0	20	44	30,5	50	50	1050511-20	67,35	
200	1 1/2"-11	84,0	22	48	37,0	55	55	1050511-24	81,00	
100	2"-11	91,0	23	48	46,0	70	70	1050511-32	150,25	



BSP - Zylindrisch - Männlich mit 60°-Konus  
BSP - Kegelig - Männlich

BSP - Male with 60°-Cone  
BSP - Taper - Male

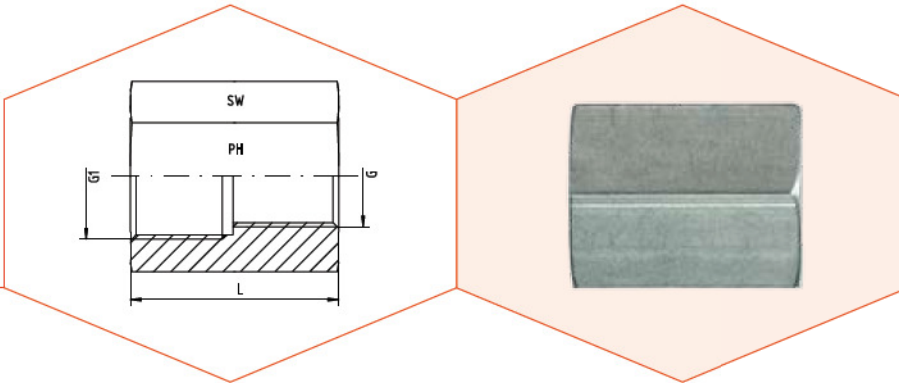
Druck Pressure PN	Gewinde Thread		Ca. Maße Approx. Dimensions				Bestellzeichen Order-Code	Brutto-Preis Gross-Price Euro (€)
	G = BSP zyl.	G1 = keg.	L	L1	D	SW		
400	1/8"-28	1/8"-28	20,0	20,0	4,0	12	1350500-02	10,00
400	1/4"-19	1/4"-19	24,5	26,0	6,0	14	1350500-04	12,25
400	3/8"-19	3/8"-19	25,5	25,5	8,0	17	1350500-06	16,25
400	1/2"-14	1/2"-14	29,5	35,0	11,0	19	1350500-08	23,75
400	3/4"-14	3/4"-14	37,0	37,0	16,0	27	1350500-12	40,10
400	1"-11	1"-11	43,0	43,0	22,0	36	1350500-16	46,75
200	1 1/4"-11	1 1/4"-11	51,0	51,0	28,5	41	1350500-20	89,00
200	1 1/2"-11	1 1/2"-11	59,0	63,0	33,5	50	1350500-24	165,00
	2"-11	2"-11					1350500-32	429,00



Für Hochdruck  
Gewinde: BSP - Zylindrisch

For High Pressure  
Thread: BSP - Parallel

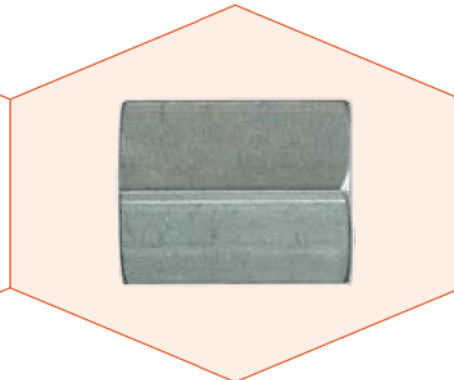
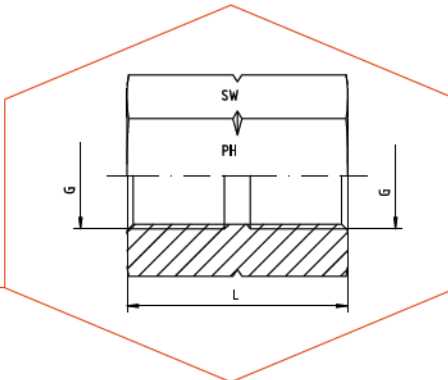
Druck Pressure PN	Gewinde Thread G	Ca. Maße Approx. Dimensions		Bestellzeichen Order-Code	Brutto-Preis Gross-Price Euro (€)
		L	SW		
630	1/8"-28	18	14	1050512-02-02	5,65
630	1/4"-19	25	17	1050512-04-04	5,65
630	3/8"-19	26	22	1050512-06-06	8,10
400	1/2"-14	34	27	1050512-08-08	10,45
400	3/4"-14	36	32	1050512-12-12	14,00
400	1"-11	43	41	1050512-16-16	22,50
315	1 1/4"-11	48	50	1050512-20-20	32,45
315	1 1/2"-11	48	55	1050512-24-24	38,25
250	2"-11	56	70	1050512-32-32	69,90



Für Hochdruck  
Gewinde: BSP - Zylindrisch - Reduziert

For High Pressure  
Thread: BSP - Parallel - Reduced

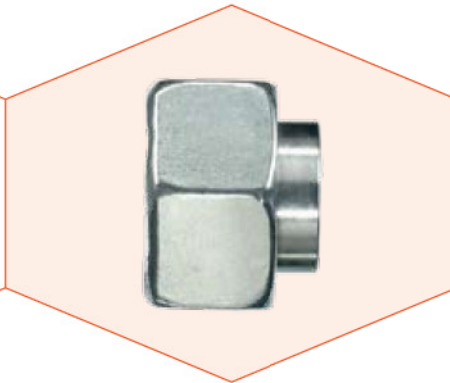
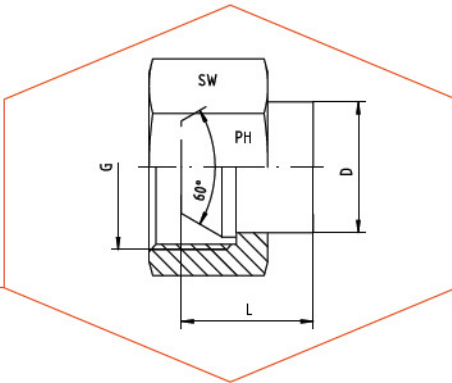
Druck Pressure PN	Gewinde Thread G1 x G	Ca. Maße Approx. Dimensions		Bestellzeichen Order-Code	Brutto-Preis Gross-Price Euro (€)
		L	SW		
630	1/4" x 1/8"	25	17	1050512-04-02	7,25
630	3/8" x 1/4"	32	22	1050512-06-04	9,95
400	1/2" x 3/8"	35	27	1050512-08-06	13,00
400	1/2" x 1/4"	35	27	1050512-08-04	14,50
400	3/4" x 1/2"	38	32	1050512-12-08	17,20
400	3/4" x 3/8"	38	32	1050512-12-06	18,90
400	1" x 3/4"	42	41	1050512-16-12	24,50
400	1" x 1/2"	42	41	1050512-16-08	25,50
315	1 1/4" x 1"	48	50	1050512-20-16	36,50
315	1 1/2" x 1 1/4"	48	55	1050512-24-20	41,80
250	2" x 1 1/2"	56	70	1050512-32-24	79,75



Für Hochdruck  
NPT-Innengewinde

For High Pressure  
NPT-Internal Thread

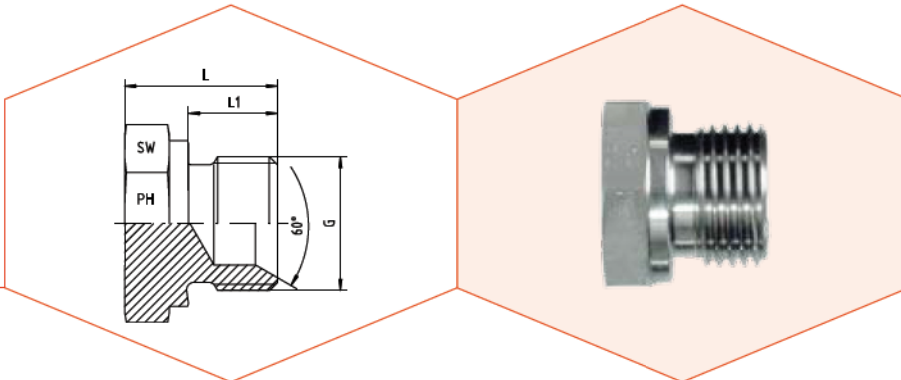
Druck Pressure PN	Gewinde Thread G = NPT	Ca. Maße Approx. Dimensions		Bestellzeichen Order-Code	Brutto-Preis Gross-Price Euro (€)
		L	SW		
630	1/8"-27	18	14	1050516-02	9,20
630	1/4"-18	25	17	1050516-04	9,90
630	3/8"-18	26	22	1050516-06	10,60
630	1/2"-14	34	27	1050516-08	13,90
400	3/4"-14	36	32	1050516-12	16,90
400	1"-11,5	43	41	1050516-16	24,90
400	1 1/4"-11,5	59	50	1050516-20	45,90
400	1 1/2"-11,5	59	55	1050516-24	75,90
315	2"-11,5	59	70	1050516-32	138,00



Für BSP-Gewinde mit 60°-Innenkonus  
Verschluss - DKR

For BSP-Thread with 60°-Cone

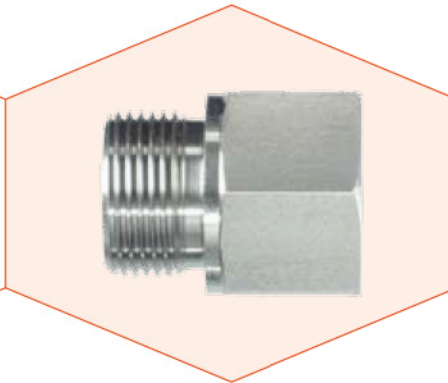
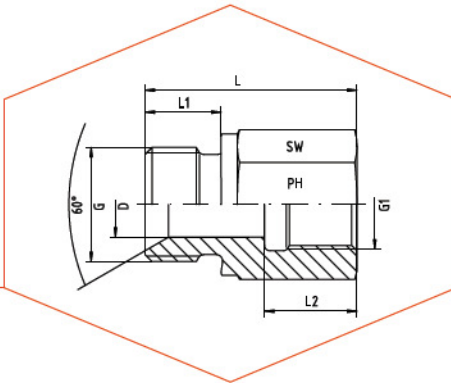
Druck Pressure PN	Gewinde Thread G = BSP	Ca. Maße Approx. Dimensions			Bestellzeichen Order-Code	Brutto-Preis Gross-Price Euro (€)
		L	D	SW		
400	1/8"-28	11		14	1050513-02	7,00
400	1/4"-19	15	9,0	17	1050513-04	6,15
400	3/8"-19	15	12,4	19	1050513-06	7,00
400	1/2"-14	17	16,4	27	1050513-08	8,35
400	5/8"-14				1050513-10	14,50
400	3/4"-14	19	21,3	32	1050513-12	13,00
400	1"-11	20	27,8	41	1050513-16	20,20
200	1 1/4"-11	22	36,0	50	1050513-20	32,35
200	1 1/2"-11	25		55	1050513-24	52,55
100	2"-11	31	54,5	70	1050513-32	88,70



Mit Außen-Sechskant, 60°-Innenkonus und  
angedrehter Dichtkante Form B

With Hexagon, 60°-Cone and Sealing Shoulder Form B

Druck Pressure PN	Gewinde Thread G = BSP	Ca. Maße Approx. Dimensions			Bestellzeichen Order-Code	Brutto-Preis Gross-Price Euro (€)
		L	L1	SW		
400	1/8"-28	14,0	8	14	1050514-02	4,05
400	1/4"-19	17,0	10	19	1050514-04	4,05
400	3/8"-19	20,5	12	22	1050514-06	5,15
400	1/2"-14	24,0	14	27	1050514-08	6,50
400	5/8"-14				1050514-10	15,50
400	3/4"-14	27,0	16	32	1050514-12	8,50
400	1"-11	31,0	18	41	1050514-16	12,70
200	1 1/4"-11	33,0	20	50	1050514-20	23,30
200	1 1/2"-11	36,0	22	55	1050514-24	35,30
100	2"-11	36,0	22	70	1050514-32	43,00

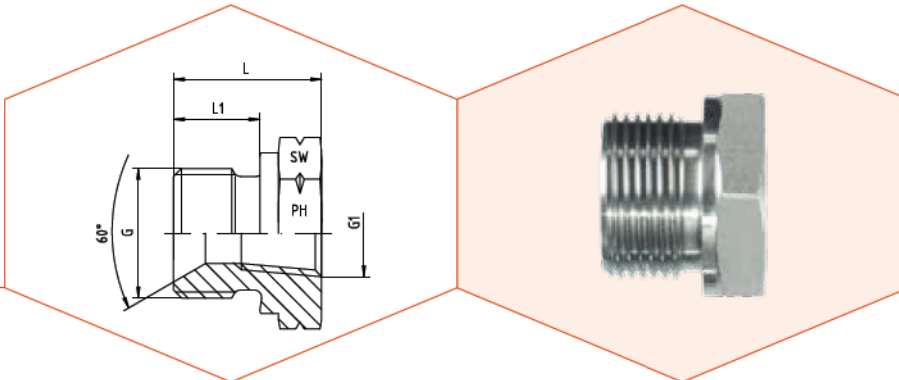


BSP-Außengewinde mit 60°-Konus und Dichtkante Form B  
BSP-Innengewinde

*With 60°-Cone and Sealing Shoulder Form B*  
BSP - Male - BSP - Female

Druck Pressure PN	Gewinde Thread		Ca. Maße Approx. Dimensions					Bestellzeichen Order-Code	Brutto-Preis Gross-Price Euro (€)
	G = BSP	G1 = BSP	L	L1	L2	D	SW		
400	1/8"-28	1/8"-28	23,5	8	11,0	4,5	17	1050515-02-02	11,85
400	1/4"-19	1/4"-19	32,0	10	17,0	6,0	19	1050515-04-04	10,85
400	3/8"-19	3/8"-19	36,0	12	17,0	9,0	24	1050515-06-06	9,20
400	1/2"-14	1/2"-14	39,0	14	20,0	12,0	27	1050515-08-08	11,15
400	3/4"-14	3/4"-14	45,0	16	22,5	18,0	32	1050515-12-12	16,50
400	1"-11	1"-11	49,5	18	24,5	22,0	41	1050515-16-16	24,35
200	1 1/4"-11	1 1/4"-11	58,0	20	27,0	25,0	50	1050515-20-20	47,90
200	1 1/2"-11	1 1/2"-11	58,0	22	27,5	37,0	55	1050515-24-24	61,50
100	2"-11	2"-11	64,5	23	30,5	43,0	70	1050515-32-32	90,00



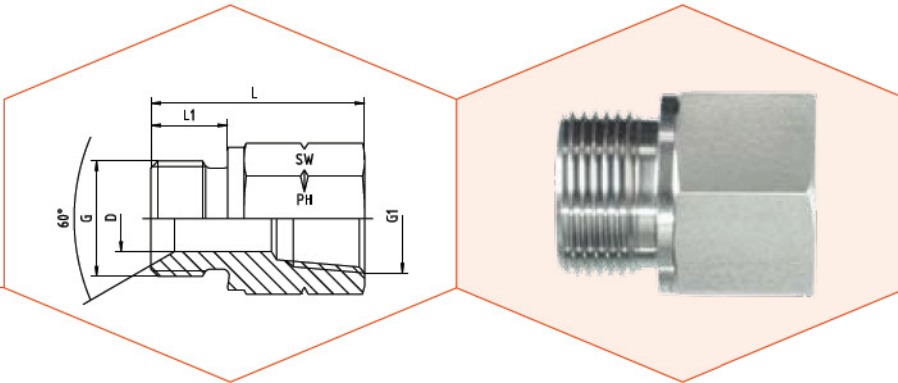


**Form A**

BSP-Außengewinde mit 60°-Konus  
NPT-Innengewinde

BSP - Male with 60°-Cone  
NPT - Female

Druck Pressure PN	Gewinde Thread		Ca. Maße Approx. Dimensions				Form Form	Bestellzeichen Order-Code	Brutto-Preis Gross-Price Euro (€)
	G = BSP	G1 = NPT	L	L1	D	SW			
400	1/2"-14	1/4"-18	24,0	14	11,5	27	A	1050518-08-04	12,05
400	1/2"-14	3/8"-18	32,5	14	12,0	27	A	1050518-08-06	12,70
400	3/4"-14	3/8"-18	30,0	16	14,5	32	A	1050518-12-06	22,10
400	3/4"-14	1/2"-14	44,0	16	18,0	32	A	1050518-12-08	22,10
400	1"-11	1/2"-14	31,0	18	18,0	41	A	1050518-16-08	23,60
400	1"-11	3/4"-14	32,0	18	23,0	41	A	1050518-16-12	23,60
200	1 1/4"-11	3/4"-14	37,0	20	22,5	50	A	1050518-20-12	39,95
200	1 1/4"-11	1"-11,5	37,0	20	33,0	50	A	1050518-20-16	39,95
200	1 1/2"-11	1"-11,5	39,0	22	28,5	55	A	1050518-24-16	53,95
200	1 1/2"-11	1 1/4"-11,5	39,0	22	37,0	55	A	1050518-24-20	53,95

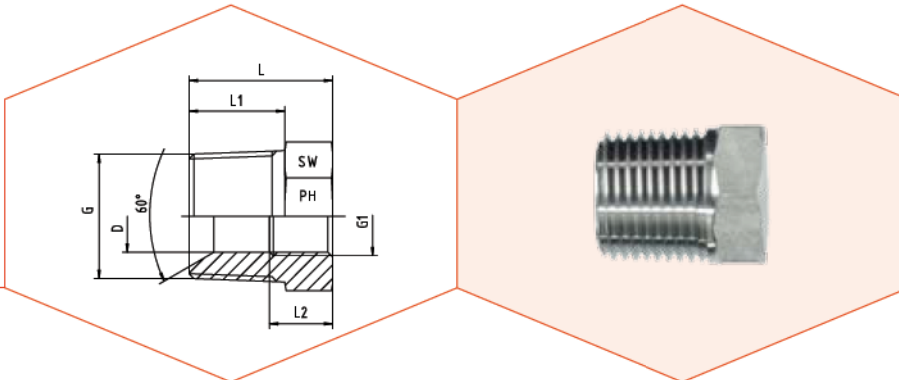


**Form B**

BSP-Außengewinde mit 60°-Konus  
NPT-Innengewinde

BSP - Male with 60°-Cone  
NPT - Female

Druck Pressure PN	Gewinde Thread		Ca. Maße Approx. Dimensions				Form Form	Bestellzeichen Order-Code	Brutto-Preis Gross-Price Euro (€)
	G = BSP	G1 = NPT	L	L1	D	SW			
400	1/8"-28	1/8"-27	25,0	8	4,0	14	B	1050518-02-02	9,80
400	1/8"-28	1/4"-18	31,0	8	4,0	19	B	1050518-02-04	9,80
400	1/4"-19	1/8"-27	32,0	12	6,0	19	B	1050518-04-02	9,80
400	1/4"-19	1/4"-18	32,0	12	6,0	19	B	1050518-04-04	9,80
400	1/4"-19	3/8"-18	31,0	10	7,0	24	B	1050518-04-06	9,80
400	1/4"-19	1/2"-14	38,0	10	7,0	27	B	1050518-04-08	13,15
400	3/8"-19	1/4"-18	36,0	12	9,0	22	B	1050518-06-04	9,85
400	3/8"-19	3/8"-18	36,0	12	9,0	24	B	1050518-06-06	12,05
400	3/8"-19	1/2"-14	37,0	12	9,0	27	B	1050518-06-08	12,30
400	1/2"-14	1/2"-14	39,0	14	12,0	27	B	1050518-08-08	12,70
400	1/2"-14	3/4"-14	46,0	14	13,0	36	B	1050518-08-12	22,10
400	3/4"-14	3/4"-14	48,0	16	18,0	36	B	1050518-12-12	22,50
400	3/4"-14	1"-11,5	51,0	16	18,0	41	B	1050518-12-16	27,20
400	1"-11	1"-11,5	49,5	18	22,0	41	B	1050518-16-16	27,20
400	1"-11	1 1/4"-11,5	50,5	18	22,0	50	B	1050518-16-20	58,80
200	1 1/4"-11	1 1/4"-11,5	58,0	20	25,0	50	B	1050518-20-20	50,90
200	1 1/2"-11	1 1/2"-11,5	62,0	22	37,0	55	B	1050518-24-24	59,90
100	2"-11	2"-11,5	64,0	23	43,0	70	B	1050518-32-32	109,00

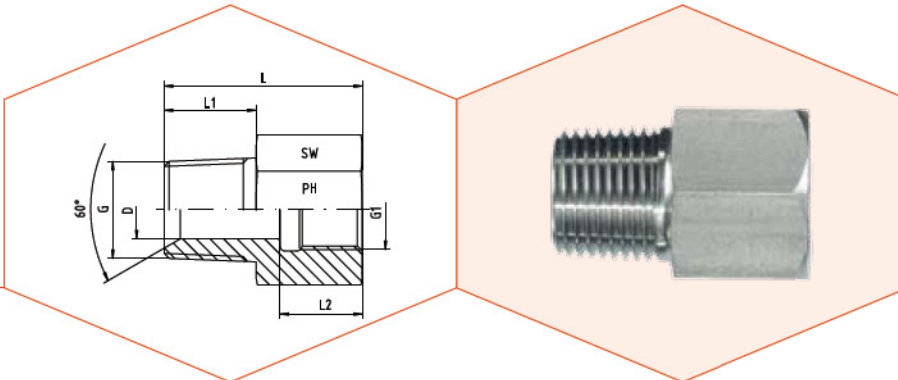


Form A

NPT-Außengewinde mit 60°-Konus  
BSP-Innengewinde

NPT - Male with 60°-Cone  
BSP - Female

Druck Pressure PN	Gewinde Thread		Ca. Maße Approx. Dimensions					Form Form	Bestellzeichen Order-Code	Brutto-Preis Gross-Price Euro (€)
	G = NPT	G1 = BSP	L	L1	L2	D	SW			
400	1/2"-14	1/8"-28	26,0	20,0	11,0	8,5	22	A	1050517-08-02	12,05
400	1/2"-14	1/4"-19	27,0	20,0	17,0	13,0	24	A	1050517-08-04	12,05
400	3/4"-14	3/8"-19	28,0	20,0	17,0	15,0	27	A	1050517-12-06	22,10
400	1"-11,5	1/2"-14	34,0	25,0	20,0	19,0	36	A	1050517-16-08	23,60
200	1 1/4"-11,5	3/4"-14	40,0	25,5	22,5	24,2	46	A	1050517-20-12	38,00
200	1 1/4"-11,5	1"-11	40,0	25,5	25,0	30,6	46	A	1050517-20-16	38,00
200	1 1/2"-11,5	1"-11	40,0	26,0	25,0	30,6	55	A	1050517-24-16	53,50

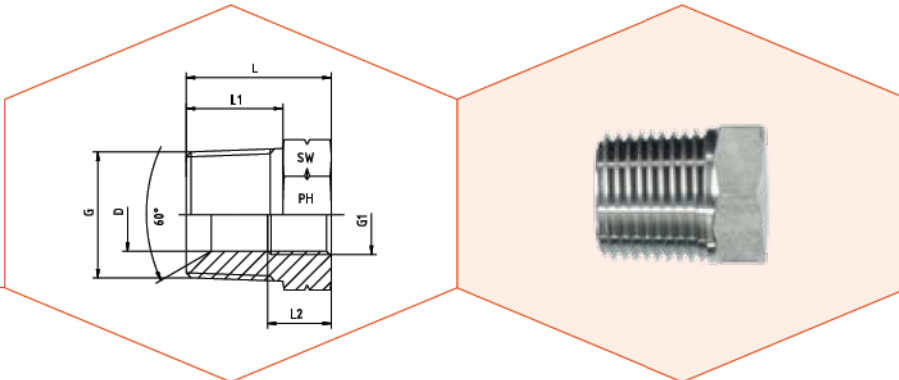


**Form B**

NPT-Außengewinde mit 60°-Konus  
BSP-Innengewinde

NPT - Male with 60°-Cone  
BSP - Female

Druck Pressure PN	Gewinde Thread		Ca. Maße Approx. Dimensions					Form Form	Bestellzeichen Order-Code	Brutto-Preis Gross-Price Euro (€)
	G = NPT	G1 = BSP	L	L1	L2	D	SW			
400	1/8"-27	1/8"-28	25,0	10,0	12,0	4,0	14	B	1050517-02-02	9,80
400	1/8"-27	1/4"-19	30,0	10,0	17,0	4,0	19	B	1050517-02-04	9,80
400	1/4"-18	1/8"-28	30,0	15,0	12,0	6,0	14	B	1050517-04-02	9,80
400	1/4"-18	1/4"-19	34,0	15,0	17,0	6,0	19	B	1050517-04-04	9,80
400	1/4"-18	3/8"-19	35,0	15,0	17,0	6,0	24	B	1050517-04-06	9,80
400	1/4"-18	1/2"-14	36,5	15,0	20,0	5,0	27	B	1050517-04-08	12,40
400	3/8"-18	1/4"-19	35,0	15,0	17,0	9,0	19	B	1050517-06-04	9,85
400	3/8"-18	3/8"-19	35,0	15,0	17,0	9,0	24	B	1050517-06-06	12,05
400	3/8"-18	1/2"-14	37,0	15,0	20,0	9,0	27	B	1050517-06-08	12,40
400	1/2"-14	3/8"-19	38,0	20,0	17,0	12,0	24	B	1050517-08-06	12,30
400	1/2"-14	1/2"-14	41,0	20,0	20,0	12,0	27	B	1050517-08-08	12,70
400	1/2"-14	3/4"-14	48,0	20,0	22,5	12,0	32	B	1050517-08-12	22,10
400	3/4"-14	1/2"-14	42,0	20,0	20,0	15,0	27	B	1050517-12-08	19,30
400	3/4"-14	3/4"-14	48,0	20,0	22,5	18,0	32	B	1050517-12-12	22,10
400	3/4"-14	1"-11	50,0	20,0	25,0	18,0	41	B	1050517-12-16	27,20
400	1"-11,5	3/4"-14	54,0	25,0	22,5	21,0	36	B	1050517-16-12	23,60
400	1"-11,5	1"-11	57,0	25,0	25,0	21,0	41	B	1050517-16-16	27,20
200	1"-11,5	1 1/4"-11	57,0	25,0	27,0	21,0	55	B	1050517-16-20	54,10
200	1 1/4"-11,5	1 1/4"-11	57,5	25,5	27,0	30,0	55	B	1050517-20-20	60,00
200	1 1/4"-11,5	1 1/2"-11	62,5	25,5	27,5	30,0	55	B	1050517-20-24	64,00
200	1 1/2"-11,5	1 1/4"-11	56,0	26,0	27,0	36,0	55	B	1050517-24-20	59,50
200	1 1/2"-11,5	1 1/2"-11	63,0	26,0	27,5	36,0	55	B	1050517-24-24	60,20
100	1 1/2"-11,5	2"-11						B	1050517-24-32	*

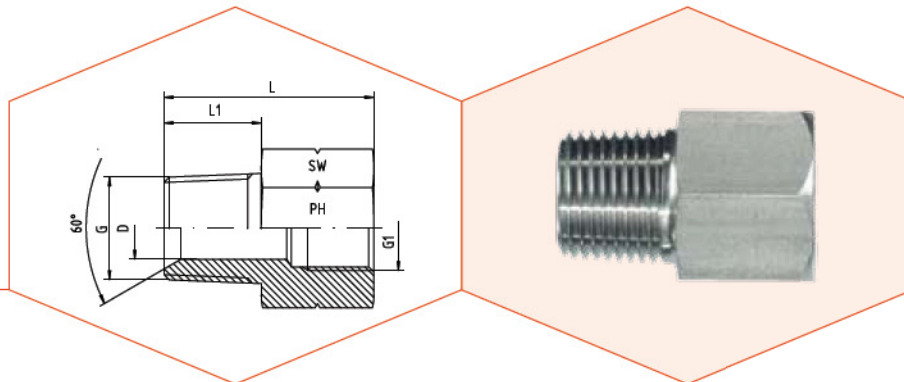


Form A

NPT-Außengewinde mit 60°-Konus  
NPT-Innengewinde

NPT - Male with 60°-Cone  
NPT - Female

Druck Pressure PN	Gewinde Thread		Ca. Maße Approx. Dimensions				Form Form	Bestellzeichen Order-Code	Brutto-Preis Gross-Price Euro (€)
	G = NPT	G1 = NPT	L	L1	D	SW			
630	3/8"-18	1/8"-27	23,0	15,3	8,5	19	A	1050525-06-02	12,50
630	1/2"-14	1/8"-27	27,0	20,0	8,5	24	A	1050525-08-02	15,10
630	1/2"-14	1/4"-18	27,0	20,0	11,0	24	A	1050525-08-04	15,10
630	3/4"-14	1/4"-18	28,0	20,0	11,0	27	A	1050525-12-04	27,65
630	3/4"-14	3/8"-18	28,0	20,0	14,0	27	A	1050525-12-06	27,65
400	1"-11,5	3/8"-18	34,0	25,0	14,0	36	A	1050525-16-06	29,50
400	1"-11,5	1/2"-14	34,0	25,0	17,7	36	A	1050525-16-08	29,50
400	1 1/4"-11,5	3/4"-14	39,5	25,5	23,0	46	A	1050525-20-12	47,50
400	1 1/2"-11,5	3/4"-14	40,0	26,0	22,5	50	A	1050525-24-12	49,90
400	1 1/2"-11,5	1"-11,5	40,0	26,0	28,5	50	A	1050525-24-16	49,90
315	2"-11,5	1"-11,5	40,0	26,0	28,5	65	A	1050525-32-16	75,00

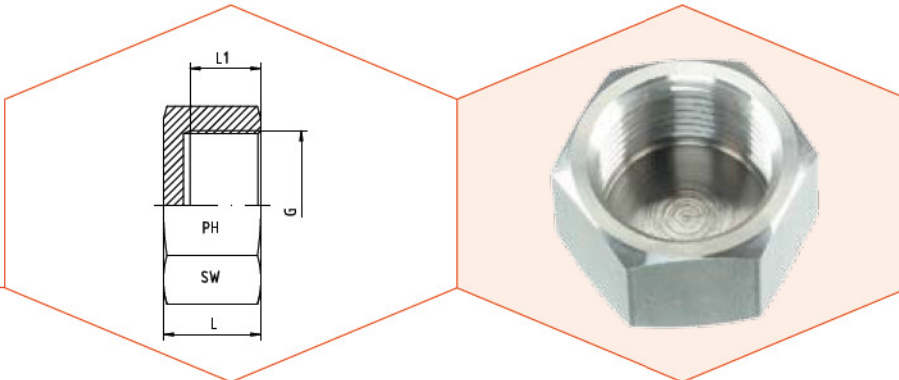


**Form B**

NPT-Außengewinde mit 60°-Konus  
NPT-Innengewinde

NPT - Male with 60°-Cone  
NPT - Female

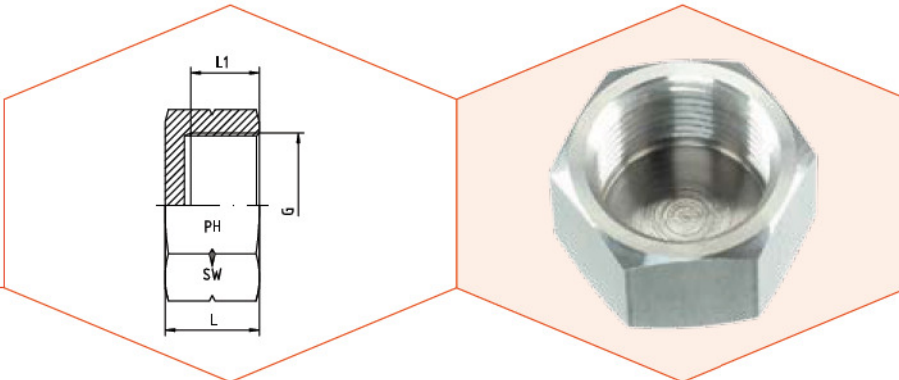
Druck Pressure PN	Gewinde Thread		Ca. Maße Approx. Dimensions				Form Form	Bestellzeichen Order-Code	Brutto-Preis Gross-Price Euro (€)
	G = NPT	G1 = NPT	L	L1	D	SW			
630	1/8"-27	1/8"-27	25,0	10,0	4,0	14	B	1050525-02-02	12,30
630	1/8"-27	1/4"-18	31,0	10,0	4,0	19	B	1050525-02-04	12,30
630	1/4"-18	1/8"-27	30,0	15,0	6,0	14	B	1050525-04-02	12,30
630	1/4"-18	1/4"-18	36,0	15,0	6,0	19	B	1050525-04-04	12,30
630	1/4"-18	3/8"-18	37,0	15,0	6,0	24	B	1050525-04-06	13,10
630	1/4"-18	1/2"-14	42,0	15,0	6,0	27	B	1050525-04-08	15,50
630	3/8"-18	1/4"-18	36,0	15,0	9,0	19	B	1050525-06-04	12,50
630	3/8"-18	3/8"-18	37,0	15,0	9,0	24	B	1050525-06-06	15,10
630	3/8"-18	1/2"-14	41,0	15,0	9,0	27	B	1050525-06-08	15,50
630	1/2"-14	3/8"-18	39,5	20,0	12,0	24	B	1050525-08-06	15,50
630	1/2"-14	1/2"-14	46,0	20,0	12,0	27	B	1050525-08-08	15,90
630	1/2"-14	3/4"-14	48,0	20,0	12,0	36	B	1050525-08-12	27,65
630	3/4"-14	1/2"-14	42,0	20,0	15,0	27	B	1050525-12-08	24,20
630	3/4"-14	3/4"-14	48,0	20,0	18,0	36	B	1050525-12-12	27,65
400	3/4"-14	1"-11,5	50,0	20,0	18,0	36	B	1050525-12-16	35,00
400	1"-11,5	3/4"-14	34,0	25,0	22,6	36	B	1050525-16-12	32,50
400	1"-11,5	1"-11,5	57,0	25,0	21,0	41	B	1050525-16-16	35,00
400	1"-11,5	1 1/4"-11,5					B	1050525-16-20	*
400	1 1/4"-11,5	1"-11,5	54,0	25,5	28,5	46	B	1050525-20-16	47,50
400	1 1/4"-11,5	1 1/4"-11,5	55,0	25,5	30,0	50	B	1050525-20-20	74,00
400	1 1/4"-11,5	1 1/2"-11,5					B	1050525-20-24	*
400	1 1/2"-11,5	1 1/4"-11,5	55,0	26,0	36,0	50	B	1050525-24-20	79,80
400	1 1/2"-11,5	1 1/2"-11,5	63,0	26,0	36,0	55	B	1050525-24-24	79,80
315	1 1/2"-11,5	2"-11,5					B	1050525-24-32	*



Mit BSP-Innengewinde

With BSP-Thread Female

Druck Pressure PN	Gewinde Thread G = BSP	Ca. Maße Approx. Dimensions			Bestellzeichen Order-Code	Brutto-Preis Gross-Price Euro (€)
		L	L1	SW		
400	1/8"-28	15,0	10,0	14	1050519-02	8,50
400	1/4"-19	18,0	12,5	17	1050519-04	7,15
400	3/8"-19	19,0	13,0	22	1050519-06	9,20
400	1/2"-14	21,0	14,5	27	1050519-08	10,70
400	5/8"-14	21,0	17,5	30	1050519-10	12,20
400	3/4"-14	24,5	18,5	32	1050519-12	12,20
400	1"-11	25,0	19,0	41	1050519-16	17,30
200	1 1/4"-11	29,0	22,0	50	1050519-20	24,70
200	1 1/2"-11	31,0	23,5	55	1050519-24	36,60
100	2"-11	32,0	24,5	70	1050519-32	44,75

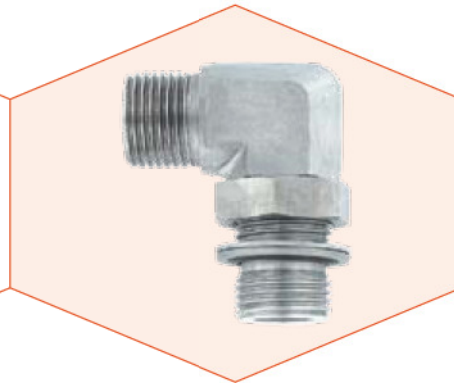
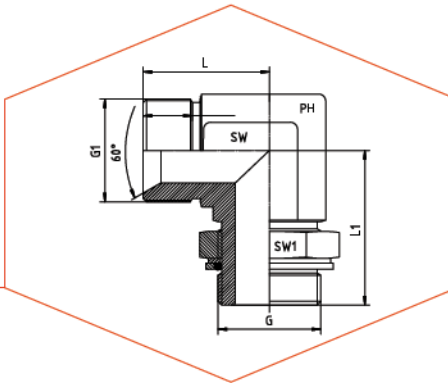


Mit NPT-Innengewinde

With NPT-Thread - Female

Druck Pressure PN	Gewinde Thread G = NPT	Ca. Maße Approx. Dimensions			Bestellzeichen Order-Code	Brutto-Preis Gross-Price Euro (€)
		L	L1	SW		
630	1/8"-27	15,5	10,0	14	1050520-02	10,50
630	1/4"-18	21,5	17,5	17	1050520-04	10,50
630	3/8"-18	22,0	17,5	22	1050520-06	12,50
630	1/2"-14	27,0	23,0	27	1050520-08	14,80
630	3/4"-14	27,0	23,0	32	1050520-12	16,40
400	1"-11,5	32,0	28,0	41	1050520-16	22,90
400	1 1/4"-11,5	36,0	29,0	50	1050520-20	37,50
400	1 1/2"-11,5	36,0	29,0	55	1050520-24	47,60
315	2"-11,5	36,0	29,0	70	1050520-32	74,00

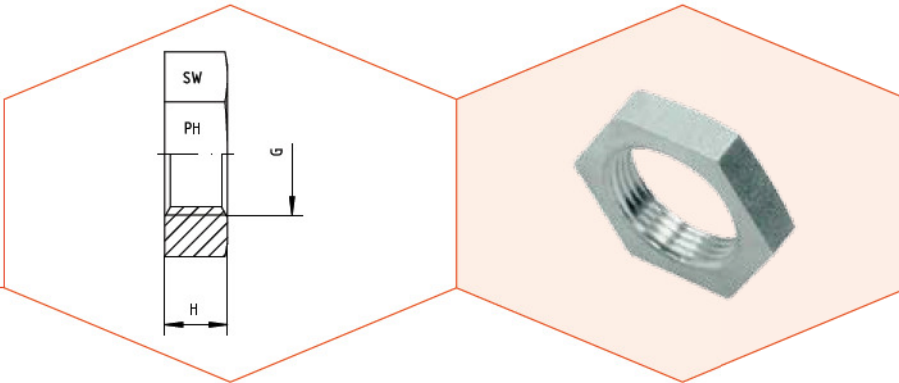




**Einstellbare Winkel-Verschraubungen - 90°**  
BSP - Männlich mit 60°-Konus  
Einschraubgewinde: G: Whitworth-Rohrgewinde - Zylindrisch  
Abdichtung durch gekammerten O-Ring

**Adjustable Stud Elbows - 90°**  
BSP - Male with 60°-Cone  
Thread: BSP - Parallel  
Sealing by Captive O-ring and Washer

Druck Pressure PN	Gewinde Thread		Ca. Maße Approx. Dimensions				Bestellzeichen Order-Code G1 x G	Brutto-Preis Gross-Price Euro (€)
	G1 = BSP	G = BSP	L	L1	SW	SW1		
400	1/4"-19	1/4"-19	27	31,5	14	19	1350501-04-04	18,80
400	3/8"-19	3/8"-19	29	37,0	19	22	1350501-06-06	25,00
400	3/8"-19	1/2"-14	32	43,0	22	27	1350501-06-08	29,70
400	1/2"-14	3/8"-19	34	40,0	22	22	1350501-08-06	27,00
400	1/2"-14	1/2"-14	34	43,0	22	27	1350501-08-08	29,70
400	3/4"-14	3/4"-14	41	50,0	27	36	1350501-12-12	40,90
400	1"-11	1"-11	46	53,0	33	41	1350501-16-16	55,90



Für Schottverschraubungen  
Innengewinde: Whitworth-Rohrgewinde - Zylindrisch

For Bulkhead Couplings  
Female Thread: BSP - Parallel

Gewinde Thread G	H	SW	Bestellzeichen Order-Code	Brutto-Preis Gross-Price Euro (€)
1/8"-28	6	14	1050526-02	2,70
1/4"-19	6	19	1050526-04	2,77
3/8"-19	6	22	1050526-06	3,75
1/2"-14	6	27	1050526-08	4,10
5/8"-14	7	30	1050526-10	*
3/4"-14	7	32	1050526-12	6,30
1"-11	11	41	1050526-16	8,00
1 1/4"-11	11	50	1050526-20	12,60
1 1/2"-11	9	55	1050526-24	14,30
2"-11	9	70	1050526-32	30,50