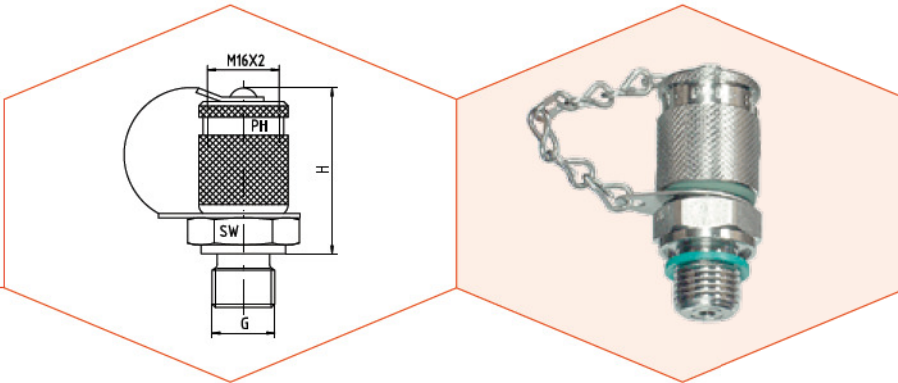


| Bilder<br>Images  | Produktgruppen   | Product Groups  | Rubrik<br>Category   |
|---|--|---|----------------------|
|    | Messanschlüsse   | Test Point Pressure Gauge Connectors  | 14.2                 |
|    | Gerade Messverschraubungen - GMV<br>- Gerade Messverschraubungen - GMV<br>- Gerade Messverschraubungen - GMV | Straight Test Point Pressure Gauge Fittings - GMV<br>- Straight Test Point Pressure Gauge Fittings - GMV<br>- Straight Test Point Pressure Gauge Fittings - GMV | 14.3<br>14.4<br>14.5 |
|    | Messanschlüsse - VKA - DKO   | Test Point Pressure Gauge Connectors - VKA - DKO  | 14.6                 |
|    | Hochdruck-Messschläuche - SMS  | High Pressure Test Hoses - SMS  | 14.7                 |
|  | Manometer-Messanschlüsse - SMA   | Gauge Test Adaptors - SMA   | 14.8                 |
|  | Manometer-Direktanschlüsse - SMD   | Direct Gauge Adaptors - SMD   | 14.9                 |



Mit Schraubkupplung M 16 x 2  
O-Ring - Viton

With Connection M 16 x 2  
O-ring - Viton

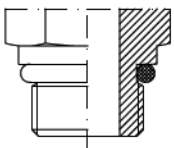
| Druck<br>Pressure<br>PN | Gewinde<br>Thread<br>G | Ca. Maße<br>Approx. Dimensions |    | Abdichtung<br>Sealing                      | Bestellzeichen<br>Order-Code | Brutto-Preis<br>Gross-Price<br>Euro (€) |
|-------------------------|------------------------|--------------------------------|----|--|------------------------------|---|
|                         |                        | H                              | SW |  |                              |   |
| 630                     | M 8 x 1                | 37                             | 17 | O-Ring Form A / O-ring Form A              | MAS-M 8x1-or                 | 48,06                                   |
| 630                     | M 10 x 1               | 37                             | 17 | O-Ring Form A / O-ring Form A              | MAS-M 10x1-or                | 48,06                                   |
| 630                     | M 10 x 1               | 37                             | 17 | Weichdichtung Form C / Soft Sealing Form C | MAS-M 10x1-wd                | 50,10                                   |
| 630                     | M 12 x 1,5             | 37                             | 17 | Weichdichtung Form C / Soft Sealing Form C | MAS-M 12x1,5-wd              | 53,50                                   |
| 630                     | M 14 x 1,5             | 37                             | 19 | Weichdichtung Form C / Soft Sealing Form C | MAS-M 14x1,5-wd              | 48,06                                   |

| Druck<br>Pressure<br>PN | Gewinde<br>Thread<br>G | Ca. Maße<br>Approx. Dimensions |    | Abdichtung<br>Sealing                      | Bestellzeichen<br>Order-Code | Brutto-Preis<br>Gross-Price<br>Euro (€) |
|-------------------------|------------------------|--------------------------------|----|--|------------------------------|---|
|                         |                        | H                              | SW |  |                              |   |
| 630                     | G 1/8"                 | 37                             | 17 | Weichdichtung Form C / Soft Sealing Form C | MAS-G 1/8"-wd                | 48,06                                   |
| 630                     | G 1/4"                 | 37                             | 19 | Weichdichtung Form C / Soft Sealing Form C | MAS-G 1/4"-wd                | 48,06                                   |
| 630                     | G 3/8"                 | 40                             | 22 | Weichdichtung Form C / Soft Sealing Form C | MAS-G 3/8"-wd                | 52,85                                   |
| 630                     | G 1/2"                 | 40                             | 27 | Weichdichtung Form C / Soft Sealing Form C | MAS-G 1/2"-wd                | 75,50                                   |

| Druck<br>Pressure<br>PN | Gewinde<br>Thread<br>G | Ca. Maße<br>Approx. Dimensions |    | Abdichtung<br>Sealing          | Bestellzeichen<br>Order-Code | Brutto-Preis<br>Gross-Price<br>Euro (€) |
|-------------------------|------------------------|--------------------------------|----|--------------------------------|------------------------------|---|
|                         |                        | H                              | SW |                                |                              |   |
| 630                     | R 1/8" keg             | 36                             | 17 | Gewinde Form D / Thread Form D | MAS-R 1/8"-k                 | *                                       |
| 630                     | R 1/4" keg             | 36                             | 17 | Gewinde Form D / Thread Form D | MAS-R 1/4"-k                 | *                                       |

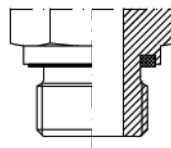
| Druck<br>Pressure<br>PN | Gewinde<br>Thread<br>G | Ca. Maße<br>Approx. Dimensions |    | Abdichtung<br>Sealing          | Bestellzeichen<br>Order-Code | Brutto-Preis<br>Gross-Price<br>Euro (€) |
|-------------------------|------------------------|--------------------------------|----|--------------------------------|------------------------------|---|
|                         |                        | H                              | SW |                                |                              |   |
| 630                     | 1/8" NPT               | 36                             | 17 | Gewinde Form D / Thread Form D | MAS-1/8"-NPT                 | 57,60                                   |
| 630                     | 1/4" NPT               | 37                             | 17 | Gewinde Form D / Thread Form D | MAS-1/4"-NPT                 | 57,60                                   |
| 630                     | 3/8" NPT               | 40                             | 19 | Gewinde Form D / Thread Form D | MAS-3/8"-NPT                 | 68,50                                   |
| 630                     | 1/2" NPT               | 40                             | 24 | Gewinde Form D / Thread Form D | MAS-1/2"-NPT                 | 75,90                                   |

Form A



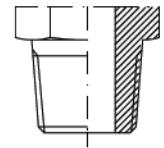
Abdichtung durch Runddichtung (O-Ring) - SAE J 514  
Sealing by O-ring in Thread Undercut - SAE J 514

Form C

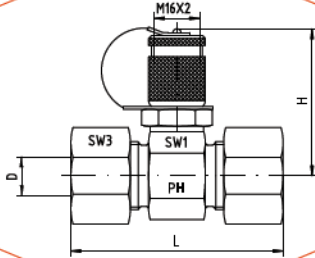


WD = Abdichtung durch gekammerte Profildichtung - Viton  
WD = Sealing by an Elastomer Captive Profiled Ring - Viton

Form D



Abdichtung kegelig oder NPT  
Sealing by Taper or NPT

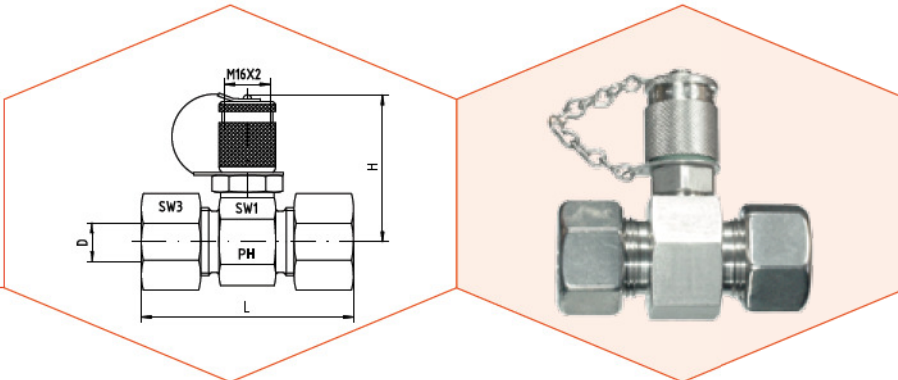


Mit Schraubkupplung M 16 x 2  
O-Ring - Viton  
Lieferung komplett mit Mutter und Schneidring

With Connection M 16 x 2  
O-ring - Viton  
Delivery complete with Nut and Cutting Ring

| Reihe<br>Series | Druck<br>Pressure<br>PN | Rohr A.D.<br>Tube O.D.<br>D | Ca. Maße<br>Approx. Dimensions |      |     |     | Bestellzeichen<br>Order-Code<br>Standard | Brutto-Preis<br>Gross-Price<br>Euro (€) |
|-----------------|-------------------------|-----------------------------|--------------------------------|------|-----|-----|--|---|
|                 |                         |                             | L                              | H    | SW1 | SW3 |  |   |
| L               | 315                     | 6                           | 50,5                           | 49,5 | 24  | 14  | GMV-L-06                                 | 124,75                                  |
| L               | 315                     | 8                           | 50,5                           | 49,5 | 24  | 17  | GMV-L-08                                 | 125,25                                  |
| L               | 315                     | 10                          | 52,5                           | 49,5 | 24  | 19  | GMV-L-10                                 | 126,25                                  |
| L               | 315                     | 12                          | 52,5                           | 49,5 | 24  | 22  | GMV-L-12                                 | 127,75                                  |
| L               | 315                     | 15                          | 54,5                           | 52,5 | 30  | 27  | GMV-L-15                                 | 129,25                                  |
| L               | 315                     | 18                          | 56,5                           | 53,5 | 32  | 32  | GMV-L-18                                 | 131,25                                  |
| L               | 160                     | 22                          | 60,5                           | 55,5 | 36  | 36  | GMV-L-22                                 | 138,75                                  |
| L               | 160                     | 28                          | 60,5                           | 58,0 | 41  | 41  | GMV-L-28                                 | 181,50                                  |
| L               | 160                     | 35                          | 68,5                           | 60,5 | 46  | 50  | GMV-L-35                                 | 281,20                                  |
| L               | 160                     | 42                          | 70,5                           | 65,0 | 55  | 60  | GMV-L-42                                 | 357,50                                  |

| Reihe<br>Series | Druck<br>Pressure<br>PN | Rohr A.D.<br>Tube O.D.<br>D | Ca. Maße<br>Approx. Dimensions |      |     |     | Bestellzeichen<br>Order-Code<br>Standard | Brutto-Preis<br>Gross-Price<br>Euro (€) |
|-----------------|-------------------------|-----------------------------|--------------------------------|------|-----|-----|--|---|
|                 |                         |                             | L                              | H    | SW1 | SW3 |  |   |
| S               | 630                     | 6                           | 54,5                           | 49,5 | 24  | 17  | GMV-S-06                                 | 125,25                                  |
| S               | 630                     | 8                           | 54,5                           | 49,5 | 24  | 19  | GMV-S-08                                 | 126,25                                  |
| S               | 630                     | 10                          | 56,5                           | 49,5 | 24  | 22  | GMV-S-10                                 | 127,75                                  |
| S               | 630                     | 12                          | 56,5                           | 49,5 | 24  | 24  | GMV-S-12                                 | 128,90                                  |
| S               | 630                     | 14                          | 62,5                           | 51,0 | 27  | 27  | GMV-S-14                                 | 129,25                                  |
| S               | 400                     | 16                          | 62,5                           | 52,5 | 30  | 30  | GMV-S-16                                 | 131,25                                  |
| S               | 400                     | 20                          | 68,5                           | 55,5 | 36  | 36  | GMV-S-20                                 | 138,75                                  |
| S               | 400                     | 25                          | 74,5                           | 58,0 | 41  | 46  | GMV-S-25                                 | 181,50                                  |
| S               | 400                     | 30                          | 80,5                           | 60,5 | 46  | 50  | GMV-S-30                                 | 281,20                                  |
| S               | 315                     | 38                          | 91,0                           | 65,0 | 55  | 60  | GMV-S-38                                 | 357,50                                  |

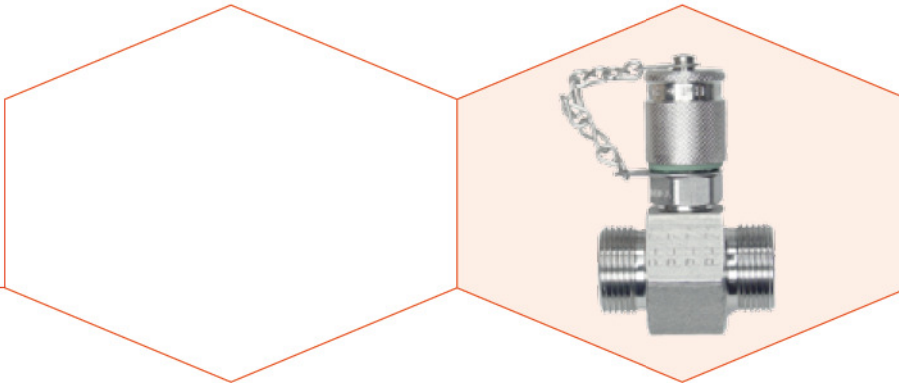


Mit Schraubkupplung M 16 x 2  
O-Ring - Viton  
Lieferung komplett mit Mutter und Schneidring

With Connection M 16 x 2  
O-ring - Viton  
Delivery complete with Nut and Cutting Ring

| Reihe<br>Series | Druck<br>Pressure<br>PN | Rohr A.D.<br>Tube O.D.<br>D | Ca. Maße<br>Approx. Dimensions |      |     |     | Bestellzeichen<br>Order-Code<br>SC | Brutto-Preis<br>Gross-Price<br>Euro (€) |
|-----------------|-------------------------|-----------------------------|--------------------------------|------|-----|-----|------------------------------------|---|
|                 |                         |                             | L                              | H    | SW1 | SW3 |                                    |   |
| L               | 315                     | 6                           | 50,5                           | 49,5 | 24  | 14  | GMV-S-06-SC                        | 126,13                                  |
| L               | 315                     | 8                           | 50,5                           | 49,5 | 24  | 17  | GMV-S-08-SC                        | 127,13                                  |
| L               | 315                     | 10                          | 52,5                           | 49,5 | 24  | 19  | GMV-S-10-SC                        | 128,87                                  |
| L               | 315                     | 12                          | 52,5                           | 49,5 | 24  | 22  | GMV-S-12-SC                        | 130,58                                  |
| L               | 315                     | 15                          | 54,5                           | 52,5 | 30  | 27  | GMV-S-14-SC                        | 132,37                                  |
| L               | 315                     | 18                          | 56,5                           | 53,5 | 32  | 32  | GMV-S-16-SC                        | 134,37                                  |
| L               | 160                     | 22                          | 60,5                           | 55,5 | 36  | 36  | GMV-S-20-SC                        | 134,99                                  |
| L               | 160                     | 28                          | 60,5                           | 58,0 | 41  | 41  | GMV-S-25-SC                        | 187,50                                  |
| L               | 160                     | 35                          | 68,5                           | 60,5 | 46  | 50  | GMV-S-30-SC                        | 289,52                                  |
| L               | 160                     | 42                          | 70,5                           | 65,0 | 55  | 60  | GMV-S-38-SC                        | 368,78                                  |

| Reihe<br>Series | Druck<br>Pressure<br>PN | Rohr A.D.<br>Tube O.D.<br>D | Ca. Maße<br>Approx. Dimensions |      |     |     | Bestellzeichen<br>Order-Code<br>SC | Brutto-Preis<br>Gross-Price<br>Euro (€) |
|-----------------|-------------------------|-----------------------------|--------------------------------|------|-----|-----|------------------------------------|---|
|                 |                         |                             | L                              | H    | SW1 | SW3 |                                    |   |
| S               | 630                     | 6                           | 54,5                           | 49,5 | 24  | 17  | GMV-S-06-SC                        | 126,13                                  |
| S               | 630                     | 8                           | 54,5                           | 49,5 | 24  | 19  | GMV-S-08-SC                        | 127,13                                  |
| S               | 630                     | 10                          | 56,5                           | 49,5 | 24  | 22  | GMV-S-10-SC                        | 128,87                                  |
| S               | 630                     | 12                          | 56,5                           | 49,5 | 24  | 24  | GMV-S-12-SC                        | 130,58                                  |
| S               | 630                     | 14                          | 62,5                           | 51,0 | 27  | 27  | GMV-S-14-SC                        | 132,37                                  |
| S               | 400                     | 16                          | 62,5                           | 52,5 | 30  | 30  | GMV-S-16-SC                        | 134,37                                  |
| S               | 400                     | 20                          | 68,5                           | 55,5 | 36  | 36  | GMV-S-20-SC                        | 134,99                                  |
| S               | 400                     | 25                          | 74,5                           | 58,0 | 41  | 46  | GMV-S-25-SC                        | 187,50                                  |
| S               | 400                     | 30                          | 80,5                           | 60,5 | 46  | 50  | GMV-S-30-SC                        | 289,52                                  |
| S               | 315                     | 38                          | 91,0                           | 65,0 | 55  | 60  | GMV-S-38-SC                        | 368,78                                  |

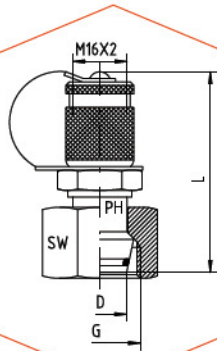


Mit Schraubkupplung M 16 x 2  
O-Ring - Viton

With Connection M 16 x 2  
O-ring - Viton

| Reihe<br>Series | Druck<br>Pressure<br>PN | Rohr A.D.<br>Tube O.D.<br>D | Ca. Maße<br>Approx. Dimensions |  |  |  | Bestellzeichen<br>Order-Code<br>OMD | Brutto-Preis<br>Gross-Price<br>Euro (€) |
|-----------------|-------------------------|-----------------------------|--------------------------------|--|--|--|-------------------------------------|---|
|                 |                         |                             |                                |  |  |  |                                     |   |
| L               | 315                     | 6                           |                                |  |  |  | GMV-L-06-OMD                        | 120,13                                  |
| L               | 315                     | 8                           |                                |  |  |  | GMV-L-08-OMD                        | 119,65                                  |
| L               | 315                     | 10                          |                                |  |  |  | GMV-L-10-OMD                        | 119,53                                  |
| L               | 315                     | 12                          |                                |  |  |  | GMV-L-12-OMD                        | 119,97                                  |
| L               | 315                     | 15                          |                                |  |  |  | GMV-L-15-OMD                        | 118,97                                  |
| L               | 315                     | 18                          |                                |  |  |  | GMV-L-18-OMD                        | 114,01                                  |
| L               | 160                     | 22                          |                                |  |  |  | GMV-L-22-OMD                        | 118,13                                  |
| L               | 160                     | 28                          |                                |  |  |  | GMV-L-28-OMD                        | 151,80                                  |
| L               | 160                     | 35                          |                                |  |  |  | GMV-L-35-OMD                        | 238,98                                  |
| L               | 160                     | 42                          |                                |  |  |  | GMV-L-42-OMD                        | 302,64                                  |

| Reihe<br>Series | Druck<br>Pressure<br>PN | Rohr A.D.<br>Tube O.D.<br>D | Ca. Maße<br>Approx. Dimensions |  |  |  | Bestellzeichen<br>Order-Code<br>OMD | Brutto-Preis<br>Gross-Price<br>Euro (€) |
|-----------------|-------------------------|-----------------------------|--------------------------------|--|--|--|-------------------------------------|---|
|                 |                         |                             |                                |  |  |  |                                     |   |
| S               | 630                     | 6                           |                                |  |  |  | GMV-S-06-OMD                        | 119,67                                  |
| S               | 630                     | 8                           |                                |  |  |  | GMV-S-08-OMD                        | 119,85                                  |
| S               | 630                     | 10                          |                                |  |  |  | GMV-S-10-OMD                        | 119,87                                  |
| S               | 630                     | 12                          |                                |  |  |  | GMV-S-12-OMD                        | 120,00                                  |
| S               | 630                     | 14                          |                                |  |  |  | GMV-S-14-OMD                        | 118,25                                  |
| S               | 400                     | 16                          |                                |  |  |  | GMV-S-16-OMD                        | 114,83                                  |
| S               | 400                     | 20                          |                                |  |  |  | GMV-S-20-OMD                        | 117,59                                  |
| S               | 400                     | 25                          |                                |  |  |  | GMV-S-25-OMD                        | 144,26                                  |
| S               | 400                     | 30                          |                                |  |  |  | GMV-S-30-OMD                        | 234,32                                  |
| S               | 315                     | 38                          |                                |  |  |  | GMV-S-38-OMD                        | 294,22                                  |

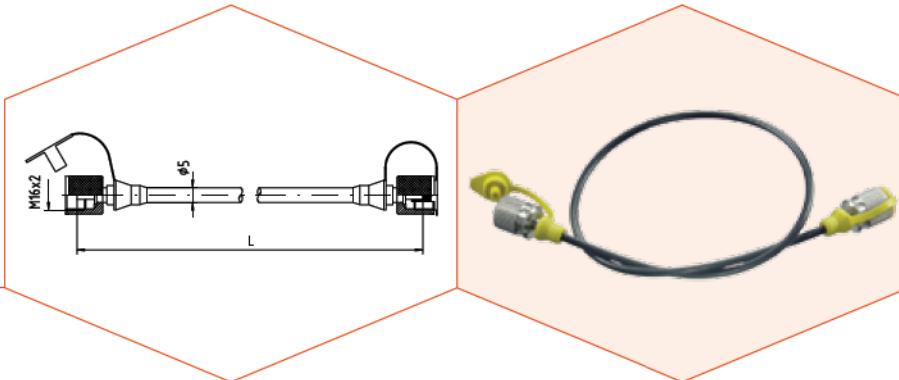


Mit Schraubkupplung M 16 x 2  
Anschluss mit Dichtkegel und O-Ring - Viton  
Passend in Bohrungsform W DIN 3861  
Mit 24°-Konus

*With Connection M 16 x 2  
Connection with Taper and O-ring - Viton  
For Port End W DIN 3861  
With 24°-Cone*

| Reihe<br>Series | Druck<br>Pressure<br>PN | Rohr A.D.<br>Tube O.D.<br>D | Gewinde<br>Thread<br>G | Ca. Maße<br>Approx. Dimensions |    | Bestellzeichen<br>Order-Code | Brutto-Preis<br>Gross-Price<br>Euro (€) |
|-----------------|-------------------------|-----------------------------|------------------------|--------------------------------|----|------------------------------|---|
|                 |                         |                             |                        | L                              | SW |                              |   |
| L               | 315                     | 6                           | M 12 x 1,5             | 72                             | 14 | VKA-DKOL-06                  | 102,25                                  |
| L               | 315                     | 8                           | M 14 x 1,5             | 58                             | 17 | VKA-DKOL-08                  | 102,25                                  |
| L               | 315                     | 10                          | M 16 x 1,5             | 58                             | 19 | VKA-DKOL-10                  | 102,25                                  |
| L               | 315                     | 12                          | M 18 x 1,5             | 54                             | 22 | VKA-DKOL-12                  | 79,25                                   |
| L               | 315                     | 15                          | M 22 x 1,5             | 57                             | 27 | VKA-DKOL-15                  | 82,83                                   |
| L               | 315                     | 18                          | M 26 x 1,5             | 59                             | 32 | VKA-DKOL-18                  | 90,50                                   |
| L               | 160                     | 22                          | M 30 x 2               | 60                             | 36 | VKA-DKOL-22                  | 99,70                                   |
| L               | 160                     | 28                          | M 36 x 2               | 65                             | 41 | VKA-DKOL-28                  | 107,40                                  |
| L               | 160                     | 35                          | M 45 x 2               | 70                             | 50 | VKA-DKOL-35                  | 127,82                                  |
| L               | 160                     | 42                          | M 52 x 2               | 71                             | 60 | VKA-DKOL-42                  | 166,15                                  |

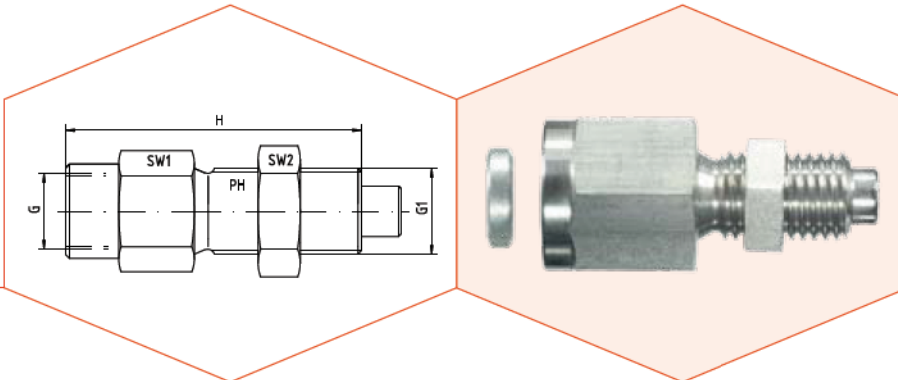
| Reihe<br>Series | Druck<br>Pressure<br>PN | Rohr A.D.<br>Tube O.D.<br>D | Gewinde<br>Thread<br>G | Ca. Maße<br>Approx. Dimensions |    | Bestellzeichen<br>Order-Code | Brutto-Preis<br>Gross-Price<br>Euro (€) |
|-----------------|-------------------------|-----------------------------|------------------------|--------------------------------|----|------------------------------|---|
|                 |                         |                             |                        | L                              | SW |                              |   |
| S               | 630                     | 6                           | M 14 x 1,5             | 72                             | 17 | VKA-DKOS-06                  | 102,25                                  |
| S               | 630                     | 8                           | M 16 x 1,5             | 58                             | 19 | VKA-DKOS-08                  | 102,25                                  |
| S               | 630                     | 10                          | M 18 x 1,5             | 58                             | 22 | VKA-DKOS-10                  | 102,25                                  |
| S               | 630                     | 12                          | M 20 x 1,5             | 54                             | 24 | VKA-DKOS-12                  | 79,50                                   |
| S               | 630                     | 14                          | M 22 x 1,5             | 70                             | 27 | VKA-DKOS-14                  | 82,83                                   |
| S               | 400                     | 16                          | M 24 x 1,5             | 55                             | 30 | VKA-DKOS-16                  | 90,50                                   |
| S               | 400                     | 20                          | M 30 x 2               | 64                             | 36 | VKA-DKOS-20                  | 99,70                                   |
| S               | 400                     | 25                          | M 36 x 2               | 66                             | 46 | VKA-DKOS-25                  | 107,40                                  |
| S               | 400                     | 30                          | M 42 x 2               | 70                             | 50 | VKA-DKOS-30                  | 128,90                                  |
| S               | 315                     | 38                          | M 52 x 2               | 72                             | 60 | VKA-DKOS-38                  | 168,15                                  |



Mit Schraubkupplung M 16 x 2

With Metric Swivel End M 16 x 2

| Druck<br>Pressure<br>PN | Schlauch<br>Hose<br>DN | Gewinde<br>Thread | Länge<br>Length<br>L |  | Bestellzeichen<br>Order-Code | Brutto-Preis<br>Gross-Price<br>Euro (€) |
|-------------------------|------------------------|-------------------|----------------------|--|------------------------------|---|
| 630                     | 02                     | M 16 x 2          | 200                  |  | SMS-M-16-200                 | 96,60                                   |
| 630                     | 02                     | M 16 x 2          | 400                  |  | SMS-M-16-400                 | 96,90                                   |
| 630                     | 02                     | M 16 x 2          | 630                  |  | SMS-M-16-630                 | 97,15                                   |
| 630                     | 02                     | M 16 x 2          | 800                  |  | SMS-M-16-800                 | 97,40                                   |
| 630                     | 02                     | M 16 x 2          | 1000                 |  | SMS-M-16-1000                | 97,65                                   |
| 630                     | 02                     | M 16 x 2          | 1500                 |  | SMS-M-16-1500                | 99,15                                   |
| 630                     | 02                     | M 16 x 2          | 2000                 |  | SMS-M-16-2000                | 99,65                                   |
| 630                     | 02                     | M 16 x 2          | 2500                 |  | SMS-M-16-2500                | 100,15                                  |
| 630                     | 02                     | M 16 x 2          | 3200                 |  | SMS-M-16-3200                | 102,15                                  |
| 630                     | 02                     | M 16 x 2          | 4000                 |  | SMS-M-16-4000                | 103,95                                  |



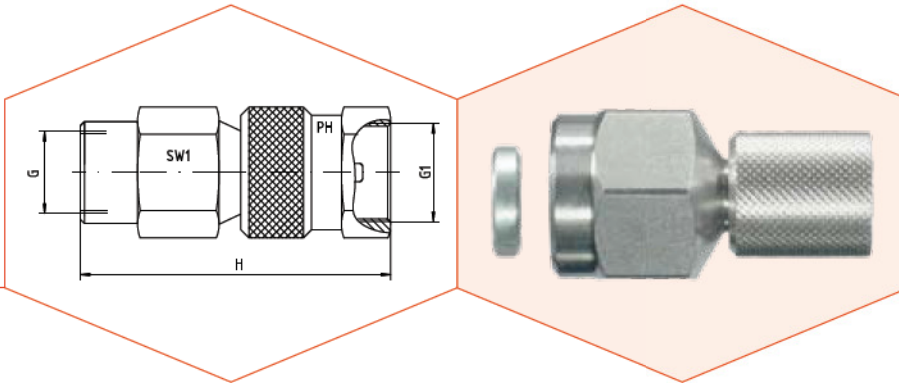
Innengewinde - Starr: BSP + NPT  
Außengewinde: M 16 x 2  
Dichtung: Viton

Female Thread: BSP + NPT  
Male Thread: M 16 x 2  
Sealing: Viton

| Druck<br>Pressure<br>PN | Gewinde<br>Thread |          | Ca. Maße<br>Approx. Dimensions |     |     | Bestellzeichen<br>Order-Code | Brutto-Preis<br>Gross-Price<br>Euro (€) |
|-------------------------|-------------------|----------|--------------------------------|-----|-----|------------------------------|---|
|                         | G                 | G1       | H                              | SW1 | SW2 |                              |   |
| 630                     | 1/4" BSP          | M 16 x 2 | 50                             | 19  | 19  | SMA-20-R 1/4"-V              | 97,00                                   |
| 630                     | 1/2" BSP          | M 16 x 2 | 60                             | 27  | 19  | SMA-20-R 1/2"-V              | 126,77                                  |

| Druck<br>Pressure<br>PN | Gewinde<br>Thread |          | Ca. Maße<br>Approx. Dimensions |     |     | Bestellzeichen<br>Order-Code | Brutto-Preis<br>Gross-Price<br>Euro (€) |
|-------------------------|-------------------|----------|--------------------------------|-----|-----|------------------------------|---|
|                         | G                 | G1       | H                              | SW1 | SW2 |                              |   |
| 630                     | 1/4" NPT          | M 16 x 2 | 50                             | 19  | 19  | SMA-20-1/4"-NPT-V            | *                                       |
| 630                     | 1/2" NPT          | M 16 x 2 | 60                             | 27  | 19  | SMA-20-1/2"-NPT-V            | *                                       |





Innengewinde - Starr: BSP + NPT  
Muttergewinde - Drehbar: M 16 x 2

Female Thread: BSP + NPT  
Nut Female Swivel: M 16 x 2

| Druck<br>Pressure<br>PN | Gewinde<br>Thread |          | Ca. Maße<br>Approx. Dimensions |     | Bestellzeichen<br>Order-Code | Brutto-Preis<br>Gross-Price<br>Euro (€) |
|-------------------------|-------------------|----------|--------------------------------|-----|------------------------------|---|
|                         | G                 | G1       | H                              | SW1 |                              |   |
| 630                     | 1/4" BSP          | M 16 x 2 | 41                             | 19  | SMD-20-R 1/4"                | 96,43                                   |
| 630                     | 1/2" BSP          | M 16 x 2 | 51                             | 27  | SMD-20-R 1/2"                | 156,00                                  |

| Druck<br>Pressure<br>PN | Gewinde<br>Thread |          | Ca. Maße<br>Approx. Dimensions |     | Bestellzeichen<br>Order-Code | Brutto-Preis<br>Gross-Price<br>Euro (€) |
|-------------------------|-------------------|----------|--------------------------------|-----|------------------------------|---|
|                         | G                 | G1       | H                              | SW1 |                              |   |
| 630                     | 1/4" NPT          | M 16 x 2 | 41                             | 19  | SMD-20-1/4"-NPT              | *                                       |
| 630                     | 1/2" NPT          | M 16 x 2 | 51                             | 27  | SMD-20-1/2"-NPT              | *                                       |